



Accurate

Reliable

Cost Effective

شركة المجهر المتكامل التجارية

AL MEJHAR AL MOTAKAMEL COMMERCIAL CO.

Product Catalog 2024 - 2025

WE ARE A LOCAL DISTRIBUTOR OF ALL INSTRUMENTS IN OUR CATALOGUE

AUTOCLAVE STEAM STERILIZER



Product Description

SPECS 16L 24L Chamber Capacity 23x39cm 26x46cm Inside Capacity 16.20L 24.41L Outside Size 47x33x41cm 60x35x47cm Sterilize Temperature Highest 126o Celsius Sterilize Pressure Highest 1.5kg/cm³ Sterilize Time 35 minutes Heater 1000W 1500W Material Quality Stainless Steel SUS No. 304, Boiler chamber surface with burnish Electric Current 220V 7A9A Safety Equipment Double pressure adjustment, adjust the inner pressure, if over standard value automatic vent

SCMOS Series USB2.0 Eyepiece Camera



• SC MOS Series USB2.0 Eyepiece Camera

- Microscope eyepiece camera with 23.2 diameter and compact size;
- Easy to extend to C or CS- Mount camera with high quality lens(optional);
- High-quality camera with Aptina CMOS sensor;
- Auto white balance and auto-exposure; Brightness, contrast, chroma, and saturation can be adjusted;
- High-speed USB2.0 interface and high frame rate video display keep the screen smooth without interruption;
- With advanced video & image processing application View;
- Custom programmable with SDK provided;

Specification

SCMOS Series USB2.0 CMOS Eyepiece Camera(18)

SCMOS is an economic version with simple and compact structure CMOS eyepiece camera. So here, the S means simple and compact. USB2.0 is used as the data transfer interface.

Microscope eyepiece camera with 23.2 diameter and compact size;

The SCMOS eyepiece camera comes with high-speed USB2.0 interface and high frame rate video display keep the screen smooth without interruption;

Also the SCMOS comes with advanced video & image processing application View;

The SCMOS can be widely used to transfer the mono or binocular student microscope to digital microscope.

With 23.2 to 30mm or 23.2 to 30.75 convert ring, the SCMOS camera can also change the stereo microscope to digital stereo microscope.

SCMOS Series Camera's Potential Application Configuration



SCMOS Series Camera with Microscope

Order Code	Sensor & Size(mm)	Pixel(μm)	G Sensitivity Dark Signal	FPS/Resolution	Binning	Exposure
SCMOS05000KPA TP505000A	5.0M/Aptina(C) 1/2.5"(5.70x4.28)	2.2x2. 2	NA	2@2592x1944 3@2048x1536 5@1600x1200 7.5@1280x1024	N/A	Auto
SCMOS03000KPA TP503000A	3M/Aptina(C) 1/2.7" (4.506x3.38)	2.2x2. 2	NA	3 @2048x1536 5 @1600x1200 7.5 @1280x1024	N/A	Auto

OTHER HARDWARE CONFIGURATION

Spectral Range	380-650nm (with IR-filter)
White balance	Auto/ROI/Manual White Balance(New Model) Auto(Products before 2020)
Color Rendering Technique	NA
Capture/Control SDK	Windows/Linux/macOS/Android Multiple Platform SDK(Native C/C++, C#/VB.NET, Python, Java, DirectShow, Twain, etc);
Recording System	Still Picture and Movie
Cooling System*	Natural

OPERATING ENVIRONMENT

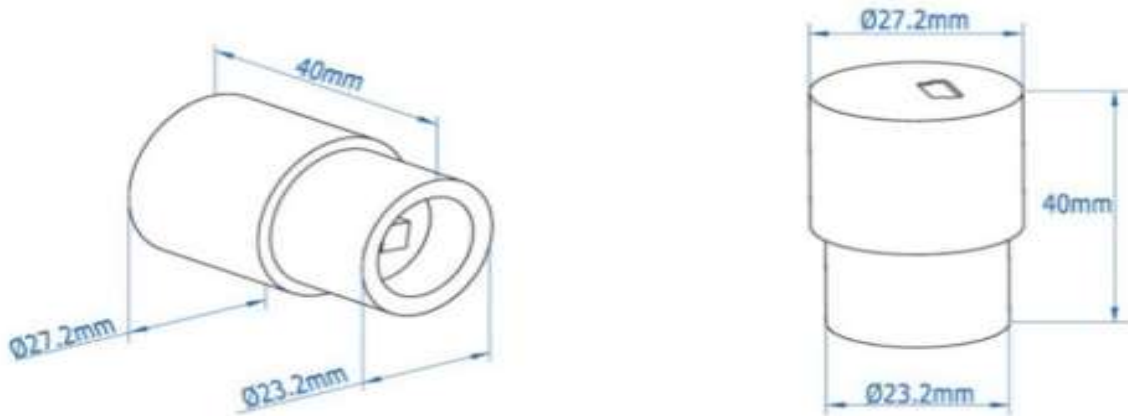
Operating Temperature	-10℃- 50℃
Storage Temperature	-20℃- 60℃
Operating Humidity	30-80%RH
Storage Humidity	10-60%RH
Power Supply	DC 5V over PC USB Port

SOFTWARE ENVIRONMENT

Operating System	Support Microsoft Windows XP / Vista / 7 / 8 / 10 (32 & 64 bit) OS X (Mac OS X), Linux
PC Requirements	CPU: Equal to Intel Core2 2.8GHz or Higher
	Memory: 2GB or More
	USB port: USB2.0 High-speed Port
	Display: 17" or Larger
	CD-ROM

Dimension of SCMOS Series Camera

Installation drawings. The SCMOS Camera body, made from aluminum alloy blackening, ocular using: Dia. 27.2 X 40mm ensures a heavy duty, workhorse solution. The camera is designed with a high quality IR-CUT filter to filter the infrared light and protect the camera sensor. No moving parts included. This design ensures a rugged, robust solution with an increased lifespan when compared to other industrial camera solutions.



Dimension of SCMOS Series Camera



SCMOS Series Camera with Microscope

Packing Information of SCMOS



Standard Camera Packing List

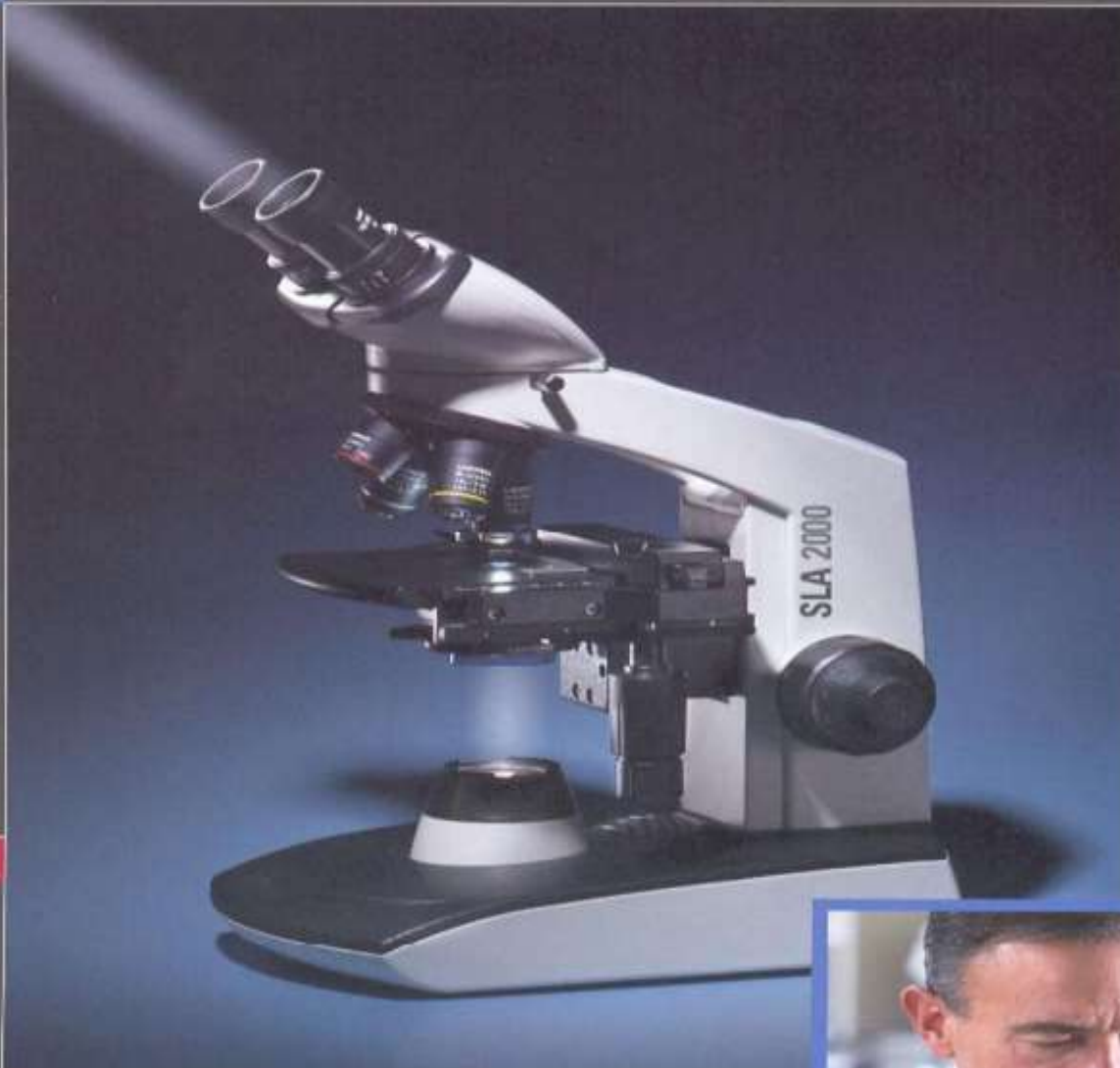
A	Carton L:52cm W:32cm H:33cm (50pcs, 12-17Kg/ carton), not shown in the photo
B	Gift box L:14.5cm W:9.5cm H:6.0cm (0.15-0.15Kg/ box)
C	SCMOS series USB2.0 C-Mount camera
D	High-Speed USB2.0 A male to mini B 5-pin male gold-plated connectors cable /1.5m
E	CD (Driver & utilities software, Ø8cm)
Optional Accessory	
F	C-Mount Adapter Housing:108027(HS502)
G	108015(Dia.23.2mm to 30.0mm Ring)/Adaptor rings for 30mm eyepiece tube
H	108016(Dia.23.2mm to 30.5mm Ring)/ Adaptor rings for 30.5mm eyepiece tube
I	108017(Dia.23.2mm to 31.75mm Ring)/ Adaptor rings for 31.75mm eyepiece tube
J	Calibration Kit 106011/TS-M1(X=0.01mm/100Div.); 106012/TS-M2(X,Y=0.01mm/100Div.); 106013/TS-M7(X=0.01mm/100Div., 0.10mm/100Div.)

شركة المجهر المتكامل التجارية

AL MEJHAR AL MOTAKAMEL COMMERCIAL CO.

SLA 2000

Lab Microscopy



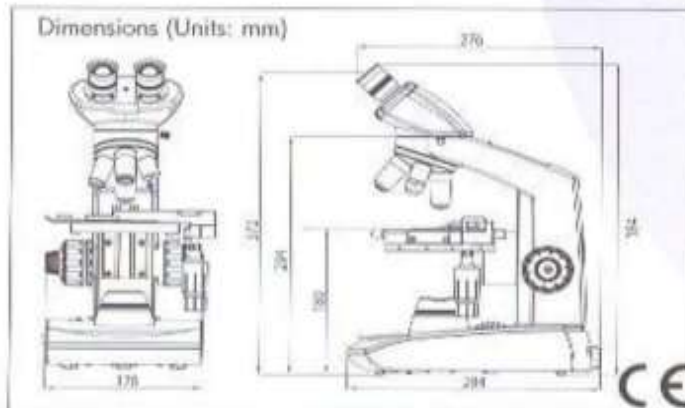
LABOMED 
ideas for vision



SLA 2000 Lab Microscope

Specifications

Item	Specifications
- Stand	Sturdy stand with antirust, antibacterial materials. Heat isolating handrests
- Viewing Body	45° inclined, 360° rotatable dovetail, interpupillary distance 54 - 74mm
- Eyepieces	Wide field focusable paired eyepieces* 10x/18mm with foldable eye guard, lockable, antifungal
- Objectives	LP series DIN Semi-Plan Achromatic objectives* 4x, 10x, 40x (spring loaded), 100x (spring loaded, oil), antifungal
- Nosepiece	Quadruple nosepiece (ball bearing type) with rubber grip, click stop for exact position
- Mechanical stage	Rectangular stage size 135 x 124mm, X/Y travel range 76mm x 50mm, low drive movement controls, single specimen holder
- Condenser	Sub stage Abbe condenser NA 1.25 with aspheric lens, iris diaphragm with snap-in blue filter. Rack and pinion movements on metal guides
- Focusing	Co-axial coarse and fine focusing on ball drive system for smooth operation, fine drive movement 0.2mm/division, tension adjustment for torque control
- Illumination	LED* or Halogen 6V-20W illumination with variable illumination control. Up to 100,000 hours of LED life and 2,000 hours of Halogen lamp life.
- Electricals	Universal input 100V - 240V AC, 50/60Hz. Built-in voltage stabilizer
- Optional accessories	Phase contrast kit with 10x and 40x LP series Phase objective, Polarizing kit, Dark field kit, Green filter and daylight mirror attachment.



Configurations

Description	Configuration	Cat. No.
Halogen Standard	Binocular	5131000
LED* Standard	Binocular	5132000

* Standard configurations come with 4x, 10x, 40x (S1) and 100x (S1, O1) objectives

LED version is with rechargeable battery and detachable power cord.

* All optical components are made of environment friendly lead free optical glass.

شركة المجهر المتكامل التجارية

AL MEJHAR AL MOTAKAMEL COMMERCIAL CO.

EVIDENT

Biological Microscope

CX23

Bringing Reliability to the Classroom



User-Friendly Design and Outstanding Optical Performance



Ergonomic grip

- Ergonomic grips add safety when retrieving the microscope from high places.
- Colored grips indicate the appropriate places to hold the microscope.
- Smooth, rounded design eliminates sharp edges.
- The CX23 microscope is one of the lightest in its class, with a total weight of approx. 5.9 kg (13.01 lbs).

Lift

1



Angled arm enables comfortable carrying



Ergonomic grip for easy carrying

- The arm is angled to keep user's wrists in a comfortable, neutral position.
- The eyepiece can be fixed in place to help prevent damage or loss during transportation.
- A rackless stage and stage cover enable safety and stability during long periods of use.

Carry

2



Fixed eyepieces



Rackless stage and stage cover

- A locking pin keeps the observation tube in place.
- Interpupillary adjustments, ranging from 48 to 75 mm, enables individual users to set it to their needs.
- Eyepoint adjustments accommodate the user's height and provide greater comfort.
- Left and right diopter adjustment enable optimal focus for each eye.

Prepare

3



Convenient and easily accessible power cable storage



Locking pin for easy binocular rotation



Interpupillary adjustment



Eyepoint height adjustment

Designed for the Classroom



Set the Sample

4

- An inward-facing rotating nosepiece facilitates a larger working area above the stage, enabling easier operation and specimen exchange or making it easier to apply oil to immersion objectives.
- Objectives with long working distances provide clearance for thick samples and slides.
- Bring specimens into focus quickly by using the coaxial knobs for fine or coarse adjustments. The microscope is built for durability and precise control, whether accessed from the left or right side.
- A torque release function helps prevent damage if excess force is applied to the coarse focusing knob or stage knob.



Inward-facing revolving nosepiece



Coaxial knobs

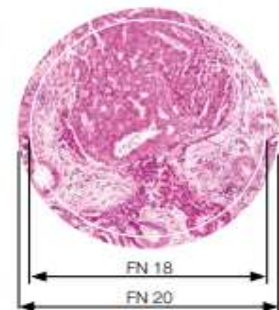
Observe

5

- The focus lock helps prevent the objectives from damaging the specimen.
- Field number (FN) of 20 provides a wide field of view.
- The CX23 microscope features plan achromat objectives that preserve outstanding image flatness throughout the field of view.
- The energy saving LED light source provides a long operation lifetime of 20,000 hours.
- Daylight balanced LED illumination preserves the vivid colors on HE-stained samples.



Focus lock



Wide field of view

Store

6

- A storage compartment on the back of the CX23 microscope makes it easy to stow the power cable after use.
- Protect your investment with an optional custom designed wooden case.
- When the CX23 microscope needs to be left unattended, a built-in security slot enables attachment of an anti-theft cable.



Cable storage compartment



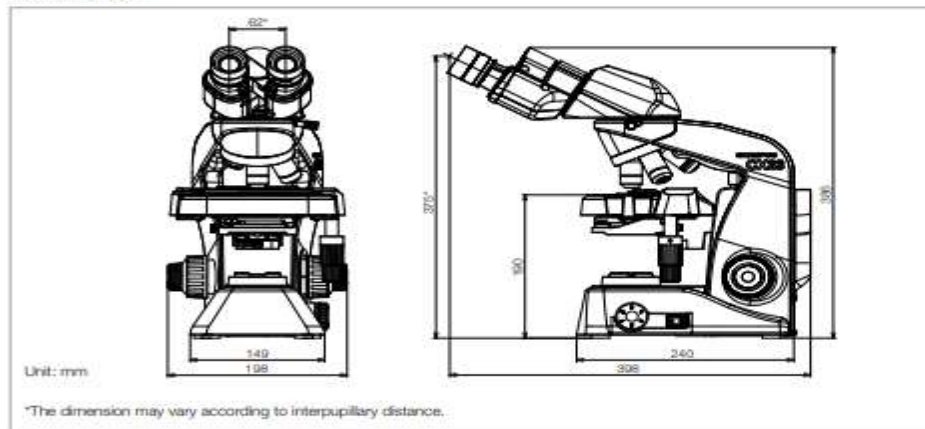
Built-in security slot

CX23 Specifications

Model	CX23LEDRF (S1/S2)	CX23RTFS2
Body	Aluminum die-cast metal frame, protective plastic covering	
Optical System	Infinity optical system	
Illumination System	Built-in transmitted illumination system LED power consumption: 0.5 W (nominal value)	
Focusing	<ul style="list-style-type: none"> •Stage height movement •Coarse movement stroke: 15 mm •Coarse adjustment limit stopper •Torque adjustment for coarse adjustment knob •Fine focus knob (minimum adjustment gradations: 2.5 μm) 	
Revolving Nosepiece	Fixed quadruple nosepiece with inward tilt	
Stage	Wire movement mechanical fixed stage •Size (W × D): 174 mm × 89 mm •Traveling range (X × Y): 76 mm × 30 mm •Specimen holder •Specimen position scale	
Observation Tube	Type	Binocular Trinocular
	Eye-piece	10X Field Number (FN): 20 15X Eye-piece (FN): 12 (optional)
	Tube inclination	30°
	Light path selector	None Eye-piece/Camera port = 100/0 or 0/100
	Interpupillary distance adjusting range	48 – 75 mm
Condenser	<ul style="list-style-type: none"> •Abbe condenser NA 1.25 with oil immersion •Built-in aperture iris diaphragm 	
Objectives	Plan Achromat	
	4X	NA 0.1 W.D. 27.8 mm
	10X	NA 0.25 W.D. 8.0 mm
	20X	NA 0.4 W.D. 2.5 mm (optional)
	40X	NA 0.65 W.D. 0.6 mm
100XOil	NA 1.25 W.D. 0.13 mm (CX23LEDRFS1 built-in, CX23LEDRFS2/RTFS2 optional)	
Optional Accessories	Reflection mirror (CH20-MM), eyepiece micrometer Dust cover, darkfield stop (CH2-DS+CH2-FH) Field Diaphragm (CX23-FS)* Dedicated wooden case (CH20-WB2)	Reflection mirror (CH20-MM), eyepiece micrometer Dust cover, darkfield filter (CH2-DS)
Dimensions (W × D × H)	198 mm × 398 mm × 386 mm	198 mm × 398 mm × 430 mm
Weight	Approximately 5.9 kg	Approximately 6.5 kg
Rated Voltage/Electric Current	AC 100 – 240 V 50/60 Hz 0.4 A	
Power Consumption	Less than 2 W	

*CX23-FS is included in CX23RTFS2 standard set

DIMENSIONS



Dedicated wooden case (optional)

Specimen courtesy of :
 JAPANESE FOUNDATION FOR CANCER RESEARCH
 Cancer Institute, Cancer Institute Hospital
 Department of Pathology
 Futoshi Akiyama, M.D., Ph.D.
 Yuichi Ishikawa, M.D., Ph.D.

- EVIDENT CORPORATION is ISO14001 certified.
- EVIDENT CORPORATION is ISO9001 certified.
- EVIDENT CORPORATION is ISO13485 certified.

• All company and product names are registered trademarks and/or trademarks of their respective owners.
 • Specifications and appearances are subject to change without any notice or obligation on the part of the manufacturer.

EvidentScientific.com

EVIDENT

EVIDENT CORPORATION
 Shinjuku Monolith, 2-3-1 Nishi-Shinjuku, Shinjuku-ku, Tokyo 163-0910, Japan

OLYMPUS

شركة المجهر المتكامل التجارية

AL MEJHAR AL MOTAKAMEL COMMERCIAL CO.



11231 BBC86

Biosafety Cabinet, Class II A2

Length:70 cm,Width:65 cm,Weight:80kg.



11231BBC86 Advantage:



- Small dimension, save space.
- Centrifugal fan, speed adjustable; H14 HEPA filter.
- Large LCD display: Operators can check detailed status of the cabinet, such as inflow and downflow velocity, work area temperature and humidity, filter pressure, UV working time and filter working time, filter life indicator etc.
- Time reserve function: This can save 30 minutes waiting time after activating the cabinet and the sterilization time after experiment.
- Remote control: Each function can be realized 6 meters away from the cabinet by remote control, which can protect the operator under emergency.
- Motorized front window: The front sash is motorized for convenient, one-hand operation.
- Voice prompt function: Airflow alarm, filter replacing alarm and front sash height alarm.

External Size(W*D*H)	700*650*1230 mm	Internal Size(W*D*H)	600*500*540 mm
Tested Opening	Safety Height: ≤200 mm		
Max Opening	400 mm		
Inflow Velocity	0.53 m/s	Downflow Velocity	0.33 m/s
Filter	Two HEPA filters, 99.999% efficient(0.3 microns)		
Front Window	Two-layer laminated toughened glass, 5mm		
UV Lamp	18W*1	Fluorescent Lamp	14W*1
Lighting(Lux)	≥800	Noise	≤60dB
Consumption	500W	Waterproof Socket	2*250W(max)
Display	LCD display	Control System	Microprocessor
Material	Work zone: 304 stainless steel. Body: Epoxy coated cold rolled steel, ABS front panel		
Clean Level	Class 100		
Weight	Net weight: 60kg Gross weight: 110kg		
Package Size(W*D*H)	950*850*1430 mm		
Standard Accessory	2 UV lamp, Fluorescent lamp, Remote control, Fuse		
Optional Accessory	Base stand, Armrest, Formalin fumigation sterilizer, Ammonium hydrogen carbonate neutralizer, Air curtain tester, Infrared Sterilizer		

Class II A2 Biosafety Cabinet



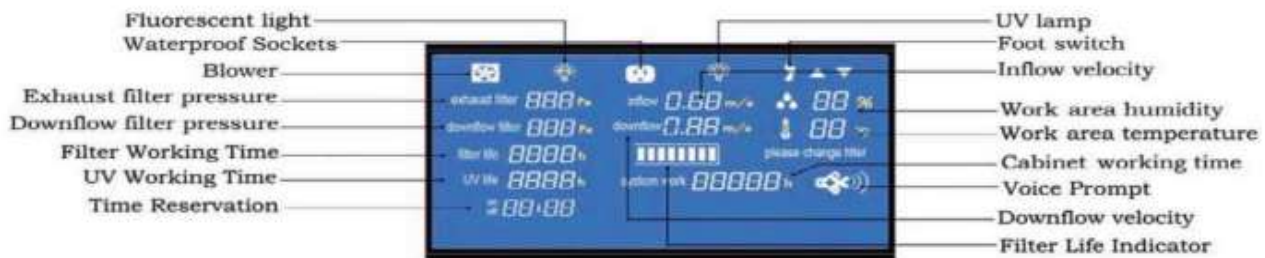
BIOBASE

Class II A2 Biosafety Cabinet 11239BBC86



BIOBASE 11239BBC86 Advantages:

1. Large LCD display. You can find all the information on the screen.



2. Remote Control. Every function can be realized 6 meters away from the cabinet by remote control, which can protect the operators under emergency.

3. Automatic front window. One finger can adjust the height of front window.

AL MEJHAR AL MOTAKAMEL COMMERCIAL CO.

4. Time reserve function. It can save half an hour waiting time after you active the cabinet and the sterilization waiting time after experiment finishing.
5. Negative pressure plenum surrounds contaminated positive pressure plenum.
6. Digital display of air pressure, air velocity and temperature.
7. Voice prompt function.

Technical Parameters:

Model	11239BBC86
External Size(W*D*H)	1380*750*2290mm
Internal Size(W*D*H)	1220*600*660mm
Tested Opening	Safety Height < 200mm
Max Opening	400mm
Inflow Velocity	0.53m/s
Downflow Velocity	0.33m/s
Main Filter	Two HEPA Filters, Efficiency 99.999% at 0.3 um
Front Window	Motorized. Two-layer laminated toughened glass > 5mm.
Noise	EN 12469 ≤58 dB, NSF/ANSI 49 ≤61 dB
UV Lamp	30W*1
Fluorescent Lamp	40W*2
Illumination	≥ 1000Lux
Water and Gas Tap	Water Tap*1, Gas Tap*1
Waterproof Sockets	2*250W(Max)
Display	LCD Display
Control System	Microprocessor
Airflow System	70% air recirculation, 30% air exhaust
Material	Work Zone: 304 stainless steel Main Body: Cold-rolled steel with anti-bacteria powder coating
Base Stand	Height is 635mm
Caster Wheel	Universal Wheel
Consumption	600W
Power Supply	110/220V+10%, 50/60Hz
Gross Weight	400kg
Standard Configuration	Remote control, Foot switch, UV lamp, Fluorescent lamp, Base stand

Liquid Handling

Maximum precision for reliable results

HumaPette PREMIUM Line

Highest quality Made in Germany

- > Maximum versatility and excellent quality
- > Proven performance

Features

- > One hand operation for right and left handed
- > Fully autoclavable (20 min. at 121°C)
- > Volume adjustment protection
- > Tool-free easy calibration technique
- > Corrosion-resistant piston and ejector
- > Color-coded volume range



Fixed volume	REF
10 µl	19505P
20 µl	19510P
25 µl	19515P
50 µl	19520P
100 µl	19525P
200 µl	19530P
250 µl	19535P
500 µl	19540P
1,000 µl	19545P

Digital and adjustable	REF
0.5-10 µl	19110P
2-20 µl	19120P
10-100 µl	19125P
20-200 µl	19130P
100-1,000 µl	19140P
500-5,000 µl	19150P
1,000-10,000 µl	19160P



HumaPette-8 Channel	REF
Perfect tool for all ELISA microtiter assays	
5-50 µl	19320P
30-300 µl	19330P



Premium Starter kit	REF
Containing 3 digital and adjustable pipettes of different volumes with corresponding racked crystal, yellow and blue pipette tips and rack mounts	
0.5-10 µl	19110P
10-100 µl	19125P
100-1,000 µl	19140P



HumaPette SMART Line

Superior price/performance ratio

- > Ergonomical and accurate

Features

- > Convenient plunger position
- > Low force to push plunger
- > Easy set and read display
- > Feedback from button operation
- > Simple calibration



Fixed volume	REF
5 µl	19500L
10 µl	19505L
20 µl	19510L
25 µl	19515L
50 µl	19520L
100 µl	19525L
200 µl	19530L
250 µl	19535L
500 µl	19540L
1,000 µl	19545L

Digital and adjustable	REF
0.5-10 µl	19110L
5-50 µl	19120L
10-100 µl	19125L
20-200 µl	19130L
100-1,000 µl	19140L
1,000-5,000 µl	19150L

Pipette Tips for all types of HumaPettes

"1-way" tips to avoid contamination				REF
crystal	0.5-20 µl	1,000 pcs		19320/20
yellow	2-200 µl	10,000 pcs		19910/20
blue	50-1,000 µl	5,000 pcs		19920/40
white	0.5-5 ml	200 pcs		19150/10
white	1.0-10 ml	1,000 pcs		19160/10

For HumaPette-8			
HumaPette-8	5-300 µl	1,000 pcs	19320/10



Human

Diagnostics Worldwide



DLAB Vortex Mixers are ideal instruments for mixing liquid components in tubes, resuspension of cells, using an eccentric mechanism. They are widely used in biological and chemical analysis applications.

MX-S
Vortex Mixer

MX-F
Vortex Mixer

Features

- Touch operation or continuous mode
- Variable speed control from 0 to 2500rpm (MX-S)
- Fixed Speed 2500rpm (MX-F)
- Used for various mixing applications with optional adapters (MX-S)
- Specially designed vacuum suction feet for body stability
- Robust aluminum-cast construction



Wide range of accessories

Specifications	MX-S (Adjustable speed)	MX-F (Fixed speed)
Voltage	100-120V/200-240V,50/60Hz	100-120V/200-240V,50/60Hz
Power	60W	60W
Mixing motion	Orbital	Orbital
Orbital diameter	4mm	4mm
Motor type	Shaded pole motor	Shaded pole motor
Motor rating input	58W	58W
Motor rating output	10W	10W
Speed range	0-2500rpm	2500rpm
Speed display	Scale	-
Run type	Touch operation/ Continuous	Touch operation/ Continuous
Dimension(WxHxD)	127x130x160mm	127x130x160mm
Weight	3.5kg	3.5kg
Permissible ambient temperature	5-40°C	5-40°C
Permissible relative humidity	80%RH	80%RH
Protection class	IP21	IP21



**VT1.1 Standard top
(Default)**

for \varnothing30mm tubes and small vessels

Cat. No. 18900034





MX-E
Economic Vortex Mixer

Features

- For small amount of sample mix
- Touch operation
- Fixed speed: 3000rpm
- Small and beautiful
- DC brushless motor, stable performance



Specifications

	MX-E
Power supply [VAC]	100-240
Frequency [Hz]	50/60
Power [W]	12
Mixing motion	Orbital
Revolving diameter [mm]	4.8
Motor rating output[W]	10
Rotational speed [rpm]	3000
Operating mode	Inching
External dimension [mm]	133x133x80
Dimension of packing box [mm]	250x185x130
Weight [kg]	0.6
Allowable environment temperature [°C]	5-40
Permissible Ambient Temperature	≤80%RH
Protection class	IP21



MX-T6-Pro

LCD Digital Tube Roller

Features

- LCD displays the speed and time
- Speed range of 10-70rpm
- Six roller design for gentle rolling and easy to clean
- Continuous or timer operation

MX-T6-S

Tube Roller

Features

- Speed range of 0-70rpm
- Six roller design for gentle rolling and easy to clean



DLAB tube rollers provide a gentle and highly efficient rolling motions, ideal for mixing blood samples, viscous substances and liquid-solid suspensions. Used in a variety of applications, such as the prevention of blood coagulation, immune precipitation, etc.



LCD display



Timer



Specifications

	MX-T6-Pro	MX-T6-S
Amplitude	24mm	24mm
Motor type	DC motor	DC motor
Rocking motion	Rocking and rolling	Rocking and rolling
Max. load capacity	4kg	4kg
Number of rollers	6	6
Roller size[length]	280mm	280mm
Speed range	10 - 70rpm	0-70rpm
Speed display	LCD	Scale
Timer	Yes	-
Timer display	LCD	-
Time setting range	1-1199min	-
Operation mode	Continuous/timer	Continuous
Voltage	100-240V,50/60Hz	100-240V,50/60Hz
Power	30W	25W
Dimension [DxWxH]	450x260x120mm	450x260x120mm
Weight	5.1kg	4.5kg
Permissible ambient temperature and humidity	5-40°C,80%RH	5-40°C,80%RH
Protection class	IP21	IP21

DM0412

Clinical Centrifuge

Features

- Easy programming to achieve high accuracy of speed control
- Easy operation with intuitive menu and easy-to-read display
- Rotor speed can be set and displayed by RPM or G-force
- Maintenance-free brushless DC motor
- Quick spin function with press and hold pulse key
- Lid with electric lock and automatic release function saves processing time
- Automatic self-diagnosis on startup showing accumulative running time and last running parameters
- Braking time 2 steps adjustable (for A6-50P rotor)



Low-speed Centrifuges



DM0412S

Economical Low-speed Centrifuge

Features

- speed range of 300-4500rpm
- Individual control of speed and time
- Faster acceleration and deceleration
- Perfectly suitable for 15mL centrifuge tubes and a full line of Vacuum collection tubes



CE FC



Specifications

	DM0412	DM0412S
Speed Range	300-4500rpm, increment: 100rpm	300-4500rpm, increment: 100rpm
Max. RCF	2490×g	2490×g
Speed accuracy	±20rpm	±100rpm
Rotor type	A12-10P, A6-50P	A12-10P
Run Time	30sec-99min HOLD(Continuous operation)	1-99min HOLD(Continuous operation)
Motor	Brushless DC motor	DC motor
Display	LCD	LED
Safety Devices	Door interlock, Overspeed detector; Automatic internal diagnosis	Door interlock, Over-speed detection
Acceleration/Braking time	A12-10P: 20s ↑ 13s ↓ A6-50P: 20s ↑ 20 s /90 s ↓	23s ↑ 23s ↓
Power	Single-phase, 100V-240V,50Hz/60Hz, 3A 70W	Single-phase,200V-240V,50Hz/60Hz, 3A,100V-120V,50Hz/60Hz, 3A 70W
Dimension[WxDxH]	354×304×215mm	354×304×218mm
Weight	6kg	6kg
Certification	CE, cTUVus, IVD	-
Advanced features	Speed/RCF switch;Short-time run function; sound-alert function	sound-alert function



شركة المجهر المتكامل التجارية

AL MEJHAR AL MOTAKAMEL COMMERCIAL CO.

Hettich



GENERAL CATALOG

HETTICH PRODUCT PORTFOLIO



MANUAL CENTRIFUGE

- Independent of electricity
- Maintenance-free
- Two rotors to choose from (90° or 50°)
- Clamping device for easy table attachment



max. RPM	3,000 min ⁻¹
max. RCF	1,298
max. capacity	4 x 15 ml
weight (approx.)	0.9 kg
Cat. No.	1011

EBA 200 | 200 S

- IVDR-conform according to (EU) 2017/746
- Small centrifuge including 8-place angle rotor
- Noise level: 50 dB(A) in EBA 200
- Impuls key for short cycle mode



max. RPM	8,000 min ⁻¹ 8,000 min ⁻¹
max. RCF	3,461 6,153
max. capacity	8 x 15 ml
weight (approx.)	9 kg 11 kg
Cat. No.	1800 1802

EBA 270

- IVDR-conform according to (EU) 2017/746
- Small centrifuge including 6-place swing-out rotor
- Noise level: 51 dB(A)
- Impuls key for short cycle mode



max. RPM	4,000 min ⁻¹
max. RCF	2,254
max. capacity	6 x 15 ml
weight (approx.)	14 kg
Cat. No.	2300

EBA 280 | 280 S

- IVDR-conform according to (EU) 2017/746
- Small centrifuge with rotor quick-exchange system
- Choice of 6 rotors
- 9 program storage memories



max. RPM	8,000 min ⁻¹
max. RCF	4,146 5,071
max. capacity	6 x 50 ml
weight (approx.)	12 kg
Cat. No.	1101 1102

HAEMATOKRIT 200

- Hematocrit determination in 7 minutes
- IVDR-conform according to 98/79/EC
- Compact, powerful centrifuge
- Noise Level: 56 dB(A) with rotor 2058



max. RPM	13,000 min ⁻¹
max. RCF	16,060
max. capacity	24 capillaries
weight (approx.)	10 kg
Cat. No.	1801

MIKRO 185

- Compact, powerful microliter centrifuge
- IVDR-conform according to (EU) 2017/746
- Choice of 4 rotors
- Noise Level: 54 dB(A) with rotor 1252-A



max. RPM	14,000 min ⁻¹
max. RCF	18,845
max. capacity	24 x 2 ml
weight (approx.)	11 kg
Cat. No.	1203

MIKRO 200 | 200 R

- IVDR-conform according to (EU) 2017/746
- Choice of 4 rotors
- 4 program storage memories
- Impuls key for short cycle mode



max. RPM	15,000 min ⁻¹
max. RCF	21,382
max. capacity	30 x 2 ml
weight (approx.)	11.5 kg 28 kg
Cat. No.	2400 2405

MIKRO 220 | 220 R

- IVDR-conform according to (EU) 2017/746
- Choice of 8 rotors
- 9 program storage memories
- Impuls key for short cycle mode



max. RPM	18,000 min ⁻¹
max. RCF	31,514
max. capacity	80 x 2 ml
weight (approx.)	21 kg 42 kg
Cat. No.	2200 2205

ROTOFIX 32 A

- IVDR-conform according to (EU) 2017/746
- Choice of 9 rotors
- Noise level: 52 dB(A) with rotor 1628
- Impuls key for short cycle mode



max. RPM	8,000 min ⁻¹
max. RCF	4,226
max. capacity	4 x 100 ml
weight (approx.)	23 kg
Cat. No.	1206

UNIVERSAL 320 | 320 R

- IVDR-conform according to (EU) 2017/746
- Choice of 18 rotors
- 9 individual acceleration and 10 deceleration stages
- Noise level: 48 dB(A) with rotor 1611



max. RPM	16,000 min ⁻¹
max. RCF	24,800
max. capacity	4 x 200 ml
weight (approx.)	31 kg 52 kg
Cat. No.	1401 1406

ROTINA 380 | 380 R

- IVDR-conform according to (EU) 2017/746
- Choice of 8 rotors
- 9 individual acceleration and 10 deceleration stages
- 98 program storage memories



max. RPM	15,000 min ⁻¹
max. RCF	24,400
max. capacity	4 x 290 ml
weight (approx.)	51 kg 81 kg
Cat. No.	1701 1706

ROTINA 420 | 420 R

- IVDR-conform according to (EU) 2017/746
- Choice of 5 rotors
- 9 individual acceleration and 10 deceleration stages
- 98 program storage memories



max. RPM	15,000 min ⁻¹
max. RCF	24,400
max. capacity	4 x 600 ml
weight (approx.)	75 kg 108 kg
Cat. No.	4701 4706

ROTANTA 460 | 460 R

- Medical device according to (EU) 2017/745
- Choice of 8 rotors
- 9 individual acceleration and 19 deceleration stages
- 98 program storage memories



max. RPM	15,000 min ⁻¹
max. RCF	24,400
max. capacity	4 x 750 ml
weight (approx.)	101 kg 141 kg
Cat. No.	5650 5660

ROTOFIX 46 | 46 H

- Robust and versatile industrial centrifuge
- ROTOFIX 46 H heatable up to +90 °C
- Choice of 4 rotors
- Noise Level: 38 dB(A) with rotor 4619



max. RPM	4,000 min ⁻¹ 2,000 min ⁻¹
max. RCF	3,095 984
max. capacity	4 x 290 ml 4 x 100 ml
weight (approx.)	60 kg
Cat. No.	4600 4600-50

ROTANTA 460 RC | 460 RF

- Medical device according to (EU) 2017/745
- Choice of 8 rotors
- 9 individual acceleration and 19 deceleration stages
- 98 program storage memories



max. RPM	15,000 min ⁻¹
max. RCF	24,400
max. capacity	4 x 750 ml
weight (approx.)	140 kg 164 kg
Cat. No.	5670 5675

ROTIKA 500 RS

- Medical device according to (EU) 2017/745
- Choice of 5 rotors
- 89 program storage memories
- 9 individual acceleration and 19 deceleration stages



max. RPM	11,500 min ⁻¹
max. RCF	18,038
max. capacity	4 x 1,000 ml
weight (approx.)	ca. 219 kg
Cat. No.	4950

ROTO SILENTA 630 RS

- Medical device according to (EU) 2017/745
- Choice of 3 rotors
- 89 program storage memories
- 9 individual acceleration and 19 deceleration stages



max. RPM	6,000 min ⁻¹
max. RCF	6,520
max. capacity	6 x 2,000 ml
weight (approx.)	ca. 355 kg
Cat. No.	5005

ROTOLAVIT II

- IVDR-conform according to (EU) 2017/746
- Automatic washing centrifuge for serological tests
- Choice of 2 rotors
- Simple operation due to intuitive touch screen



max. RPM	3,500 min ⁻¹
max. RCF	1,438
max. capacity	24 x 5 ml
weight (approx.)	24.5 kg
Cat. No.	1008-00

HETTCUBE 200 | 400 | 600

- Incubator with a temperature range of 1 K (°C) above ambient to +65 °C
- Touchscreen with individual settings
- Constant and homogeneous temperature control through gentle air flow
- Maximum validated usable space on small footprint



dimensions (mm)	710 x 825 x 970 710 x 825 x 1425 710 x 825 x 1990
internal volume	150 l 310 l 520 l
validated volume	82 l 199 l 351 l
weight (approx.)	92 kg 117 kg 164 kg
Cat. No.	62000 64000 66000

HETTCUBE 200 R | 400 R | 600 R

- Refrigerated incubator with a temperature range of 0 °C to +65 °C
- Touch screen with individual settings, weekly programming with holiday function and more security through various power failure scenarios
- Constant and homogeneous temperature control



dimensions (mm)	710 x 825 x 970 710 x 825 x 1425 710 x 825 x 1990
internal volume	150 l 310 l 520 l
validated volume	82 l 199 l 351 l
weight (approx.)	103 kg 128 kg 175 kg
Cat. No.	62005 64005 66005

Also available as general purpose model.

ZENTRIMIX 380 R

- Innovative dual centrifuge
- Efficient homogenizing, mixing and milling with only one device
- Can also be used as a cooled standard centrifuge



max. RPM	2,500 min ⁻¹
max. RCF	1,048
max. capacity	6 x 50 ml
weight (approx.)	81.5 kg
Cat. No.	3200

ACCESSORIES

- HettInfo II – Documentation system for blood banks
- Blood bank accessories
- Cyto accessories
- Incubator accessories
- Rolling cabinets



AUTOMATED CENTRIFUGES

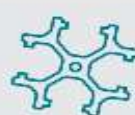
- World market leader with over 25 years of experience in the field of automated centrifuges
- 4 models available in different sizes
- Extensive standard accessories



Developed and manufactured in Germany.



Product life of over 10 years



Spare parts and service for many years to come



Over 100 trained partners worldwide



All products are IVDR or MDR compliant

شركة المجهر المتكامل التجارية

AL MEJHAR AL MOTAKAMEL COMMERCIAL CO.



TECHNOLOGY AND CASE STUDIES

DxH 500 SERIES HEMATOLOGY ANALYZER

 **BECKMAN
COULTER**

DxH 520 Hematology Analyzer

Minimum footprint. Maximum productivity.

The DxH 520 is a 5-part differential closed tube hematology analyzer, designed to help your low-volume laboratory enhance patient care through increased productivity with reduced costs. The system delivers critical results the first time with accuracy, with as little as 375 μL tube fill-volume and an aspiration of only 17 μL —ideal for pediatric or difficult-draw samples. Technologists can experience safety without compromise with closed tube technology, providing optimal security against blood-borne pathogens. The DxH 520 hematology analyzer also has one of the smallest footprints in its class, uses only three reagents, and features a robust patient data and QC management package. Automated operational tasks promote ease of use, efficiency and uptime, freeing more time for patient care.



SPECIFICATION

Mode of Operation	Open and closed tube sampling
Sample Aspiration Volume	17 μ L of venous or micro-collected whole blood 20 μ L of whole blood for pre-diluted analysis
Throughput	55 closed tube samples per hour, 60 open tube samples per hour
Menu/Test Parameters	WBC, RBC, HGB, HCT, MCV, MCH, MCHC, RDW-SD, RDW-CV, PLT, MPV, LY%, LY#, MO%, MO#, NE%, NE#, EO%, EO#, BA%, BA#
RUO Parameters	IMM%, IMM#, LHD, MAF, PCT, PDW
Data Storage	30,000 patient results, including graphics, flags, codes and messages; 12 control files, each with a maximum of 150 runs
User Interface	Touch screen; handheld barcode reader
Power Requirements	<ul style="list-style-type: none"> • 100-240 VAC 50/60 Hz • Single phase with ground
Power Consumption	Less than 120 W
Operational Ambient Temperature	18-32°C (64.4-89.6°F)

Humidity	80% relative humidity (non-condensing) at 32°C (89.6°F)
Altitude	Up to 3,000 meters (9,843 feet)
External Storage	Supports USB 2.0 (five ports)
LIS	Supports serial (RS-232) and Ethernet communication
Printer	Optional USB printer
Languages	Czech, English, French, German, Italian, Japanese, Polish, Portuguese, Slovak, Spanish
Weight and Dimensions	<ul style="list-style-type: none">• Width: 270 mm (10.6 in.)• Height: 406 mm (16.0 in.)• Depth: 430 mm (16.9 in.)• Weight: 11.4 kg (25.1 lbs)

DxH 560 AL Hematology Analyzer

Small and mighty from a family with proven reliability and comprehensive data management all in a compact size.

Save time and resources, eliminate manual intervention and deliver high-quality results, even for difficult-draw patient groups, with the DxH 560 AL Hematology Analyzer.



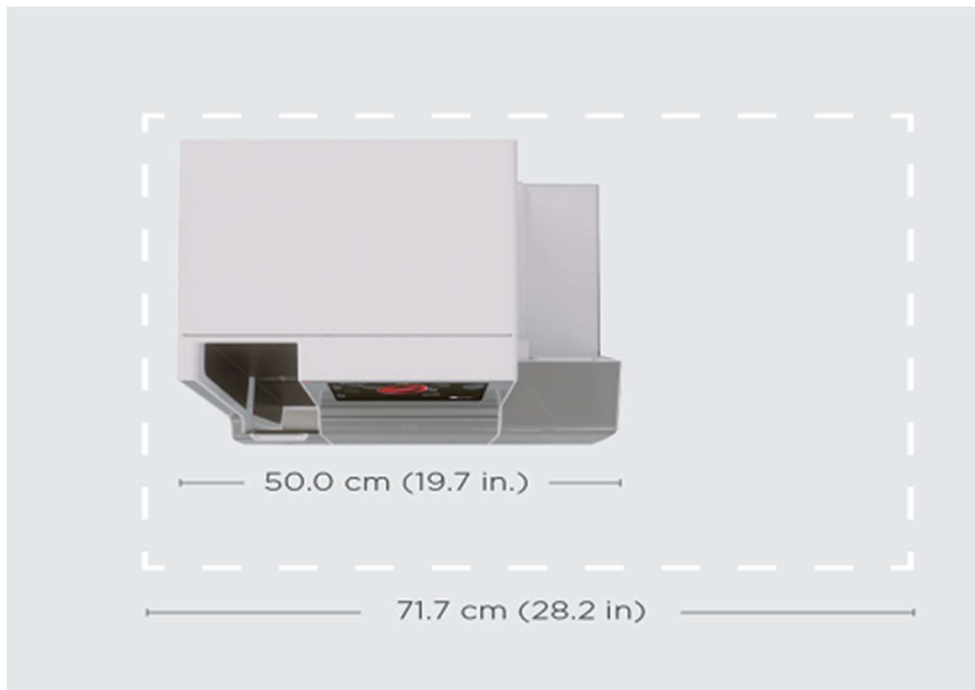
Small and mighty, because good things come in small packages.

Save time and resources, eliminate unnecessary intervention and deliver high-quality results, even for difficult-to-draw patient groups, with the DxH 560.

- **Save time and resources:** with a multi-tube, compact hematology analyzer that has proven reliability, paperless data management and autonomous instrument daily cleaning
- **Available when you need it:** the DxH 560 is engineered for high uptime and system reliability at less than one service call per year
- **Eliminate system readiness delays:** experience hands-free, autonomous daily cleaning and startup. The DxH 560 was designed with reliability in mind and allows for high walkaway time with autonomous daily start-up and system checks, hands-free daily cleaning, plus simple and few reagent replacements for maximized uptime
- **Load and go up to 50 samples:** with on-the-fly continuous loading more than twice the capacity compared to the closest competitor

Empty heading

- **Extended QC (eQC):** with onboard bias, precision and accuracy monitoring without the need for internet or extra fees
- **Reduce administrative errors and go paperless::** designed to work as hard as you do, the onboard data management in the DxH 560 can host up to 30,000 patient records—equivalent to a year's worth of tests with typical usage
- **Keep analysis running smoothly throughout the day:** store and manage just three reagents, with simple and quick replacement, compared to six reagents with other analyzers in its class
- **Test in tight spaces:** with an integrated monitor and keyboard and only one external reagent, the DxH 560 requires up to 1/3 less laboratory counter space than other analyzers in its class



Mode of Operation	Autoloader, 50 tube continuous feed capacity, open-tube mode
Sample Volume	17 μ L of venous or micro-collected whole blood
Throughput	55 closed-tube samples per hour, 60 open-tube samples per hour
Menu/Test Parameters	WBC, RBC, HGB, HCT, MCV, MCH, MCHC, RDW-SD, RDW-CV, PLT, MPV, LY%, LY#, MO%, MO#, NE%, NE#, EO%, EO#, BA%, BA#
RUO Parameters	IMM%, IMM#, LHD, MAF, PCT, PDW
Data Storage	30,000 patient results, including graphics, flags, codes and messages
QC Package	12 control files, each with a maximum of 150 runs, LJ plots, XB, XM and eIQAP with QC auto rerun
User Interface	Integrated 8.4 inch high resolution color touch screen; Handheld barcode
Power Requirements	<ul style="list-style-type: none"> • 100–240 VAC 50–60 Hz • Single phase with ground Less than 120W
Carryover	<1.00% for WBC, RBC, HGB, PLT and 5-part differential
Ambient Temp/Altitude	18–32°C (64.4–89.6°F) / Up to 3,000 meters (9,842 feet)
Humidity	80% relative humidity (non-condensing) at 32°C (89.6°F)

Altitude	Up to 3,000 meters (9,843 feet)
External Storage	Supports USB 2.0 (five ports)
LIS	Bidirectional interface supports Ethernet communication via RJ45 and Serial RS-232 communication
Printer	Optional USB printer; laser or ink jet
Languages	Czech, English, French, German, Iberian Portuguese, Italian, Japanese, Romanian, Spanish, Russian
Weight and Dimensions	<ul style="list-style-type: none"> • WIDTH 500 mm (19.7 in.) • HEIGHT 440 mm (17.3 in.) • DEPTH 460 mm (18.1 in.) • WEIGHT 22.0 kg (48.5 lbs.)

DxH 500 Hematology Analyzer

Efficiency, accuracy and ease of use

Benefit from accurate and comprehensive analysis in your low-volume lab setting. The DxH 500 hematology analyzer can help you improve clinical decision-making and efficiency. Built on proven cellular analysis technology, the DxH 500 provides precise platelet counts and accurate first-pass results. This means you can reduce costly test reruns and time-consuming manual reviews. The system's intuitive interface also makes it easier to learn and operate, freeing your staff to focus on patient care.



Spend time with your patients, not your analyzer

- Maximize uptime with built-in reliability, automatic start-up, efficient reagent usage and easy reagent replacement
- Free up time to focus on higher value activities with the ability to change all three reagents in less than five minutes
- Use 50% less reagent, consume reagents half as fast, and take less time changing and restocking reagents with the analyzer's efficient approach

Leverage single-sample precision

- Obtain accurate results with samples as small as 12 μ L of blood
- Save time by repeating testing on the same sample without another draw

Improve laboratory efficiency

- Enable fast analysis with the analyzer's unique fluidic design
- Conserve valuable bench space with the DxH 500 hematology analyzer's small footprint and integrated computer
- Reduce operational complexity with the simplified user interface, which enables any command to be performed in three touches or less
- Advance your efforts to go paperless with the analyzer's bi-directional LIS Interface

Reduce operating costs

- Reduce disposal costs with cyanide-, azide- and formaldehyde-free reagents
- Lower electricity bills with the DxH 500's efficient power handling

SPECIFICATION

Mode of Operation	Open vial sampling
Throughput	60 samples per hour
Menu/Test Parameters	WBC, RBC, HGB, HCT, MCV, MCH, MCHC, RDW-SD, RDW-CV, PLT, MPV, LY%, LY#, MO%, MO#, NE%, NE#, EO%, EO#, BA%, BA#
RUO Parameters*	IMM%, IMM#, LHD, MAF, PCT, PDW (*RUO parameters are not available for use in the United States.)
Sample Volume	<ul style="list-style-type: none"> • 12 μL of venous or micro-collected whole blood • 20 μL of whole blood for pre-dilute analysis
User Interface	<ul style="list-style-type: none"> • Touch screen • Handheld barcode reader
Power Requirements	<ul style="list-style-type: none"> • 100 – 240 VAC • 50/60 Hz • Single phase with ground
Power Consumption	Less than 120W
Noise Specifications	Less than 80 dBa

Atmospheric Pressure	700 – 1,060 mbar
Operational Ambient Temperature	18 – 32°C (64.4 – 89.6°F)
Humidity	80% relative humidity (non-condensing) at 32° C (89.6° F)
Altitude	Up to 3,000 meters (9,842.5 feet)
Reagents	<ul style="list-style-type: none"> • DxH 500 Lyse 500 mL • DxH 500 Cleaner 500 mL • DxH 500 Diluent 10 L
External Storage – USB	USB 2.0 compatible
LIS	Supports Serial (RS-232) and Ethernet communication
Printer	Optional USB PCL 6-compatible printer
Data Storage	<ul style="list-style-type: none"> • 30,000 patient results including graphics, flags, codes, and messages • 12 control files, each with a maximum of 100 runs
Languages (coming soon)	Czech, English, French, German, Iberian Portuguese, Italian, Japanese, Portuguese,

	Romanian, Russian, Spanish
Weight and Dimensions	<ul style="list-style-type: none">• Depth: 430 mm (17 in.)• Width: 270 mm (11 in.)• Height: 406 mm (16 in.)• Weight: 11.4 kg (25.1 lbs)

شركة المجهر المتكامل التجارية

AL MEJHAR AL MOTAKAMEL COMMERCIAL CO.

iStar 500 Chemiluminescence Immunoassay Analyzer



Features and Characteristics

Features and Characteristics



Compact design

Smart reagent strip
Mini size reagent kit
Bench top analyzer



High efficiency

Throughput speed is up to 36 T/H
First result come in 11 minutes



Outstanding flexibility

Mono-test reagent strip
Multi-parameter consecutive testing



High automation

Auto-sampling and automatic cup grabbing
Real-time monitoring consumption
Supporting bi-direction LIS



Accurate results

Acridium easter luminescence, the sensitivity < 10 Anti-contamination washing system
Non-contact mixing

Specifications

Model	iStar 500	Detection Principle	Acridinum-ester direct chemiluminescence
Throughput	36 T/H	Time to first result	11 mins
Auto Sampling Position	5	Sample Types	Serum, Plasma, Urine, etc.
Sample Volume	5-150 uL	Reagent Position	6 × 2
Reaction Vessel Capacity	24 × 2	Interface	10.1" build-in multi-color touch screen
Incubation Temperature	37.0 ± 0.3°C	Communication Ports	Network port, com port, support bi-direction LIS
Dimensions	550 mm(W) × 570 mm(D) × 680 mm(H)	Weight	55 kg



CLIA MONOTEST

iStar 500

Chemiluminescence Immunoassay Analyzer

- Monotest design, no waste of reagent
- Acridinium Ester label technology, flash light
- Expandable test menu
- Flexible combination of any reagents

Specifications:

Throughput:	36 test/hour, 11 min for the first result
Samples Loading:	Manual, Automatic (optional)
Reagent position:	12 Positions with 2 chambers
Operation:	10.1 inches touch screen
Accessories:	Support Barcode scanning and external printer
Weight:	55 Kg
Altitude:	≤4000 meters

شركة المجهر المتكامل التجارية

AL MEJHAR AL MOTAKAMEL COMMERCIAL CO.

UDI

UNITED DIAGNOSTICS INDUSTRY

UDIHEM-1

Automatic Hematology Analyzer 20 parameter + 3 Histogram with Touch Screen

European Hematology Solution



HM - 010-OR

Manufacture Standard, Manufacture Reliance

شركة المجهر المتكامل التجارية

AL MEJHAR AL MOTAKAMEL COMMERCIAL CO.



Biossays 240 Plus

Automatic Biochemistry Analyzer



Biossays 240 Plus

Features

- Close system and open system is optional
- High efficient washing station for cuvettes
- Random access, continuous loading
- Incorporated with liquid level sensor, volume tracking, solid crash protection and clot detection
- 24 hours refrigeration system with separate switch
- Unlimited STAT position
- Diffraction grating filters with 16 standard filters in the range 340nm-800nm
- Automatic cuvette & water blank check
- Real-time reagent levels monitoring, displaying and alerting function
- Calibration options with 1 point linearity, 2 point linearity, multipoint linearity, Logistic-Log 4P, Logistic-Log 5P, Exponential 5P, Polynomial 5P, Parabola, Spline

Specifications

Equipment type	Automatic discrete, unlimited STAT priority
Throughput	240 tests/hour
ISE	Optional (200 tests/hour)
Measuring principle	Endpoint, rate, fixed-time, kinetic, ISE technology
Sample volume	Biochemistry: 2.0 µL-35.0 µL; ISE: 90.0 µL
Sample handling	up to 90 sample positions, continuous loading
Reagent handling	up to 90 reagent positions, continuous loading, 24 hours refrigeration function with separate switch
Reagent volume	20 µL-350 µL
Reaction temperature	37.0 C ±0.2 C
Reagent bottle volume	20 mL, 50 mL
Reagent time	12 min/32 min
Wavelength	16 wavelengths, 340nm-800nm, 340nm, 380nm, 405nm,450nm, 480nm, 505nm, 546nm, 570nm, 600nm, 630nm, 660nm, 700nm, 720nm, 750nm, 780nm, 800nm
Dispensing system	Sample-reagent probe with liquid level detection, liquid surface verification and clot detection
Mixing system	1 independent paddle stirrer
Dilution	Auto-dilution
Power supply	a.c.100V-240V, 50/60Hz
Reaction volume	100 µL-450 µL
Cuvette	80 optical plastic cuvettes, reusable, optical diameter is 5mm
Light source	20 W/12V, halogen lamp, 2000 H
Absorbance range	0 ABS-3.5 ABS
Water consumption	Maximum 3.0 L/h
Weight	68 Kg
Dimension	Length: 760 mm, Width: 500 mm, Hieght: 620 mm

Biossays 240 Plus



Washer

- 4-step cuvette washing procedure
- Wash with pre-heated pure water and auto-diluted detergent
- Automated cuvette wash & cell blank



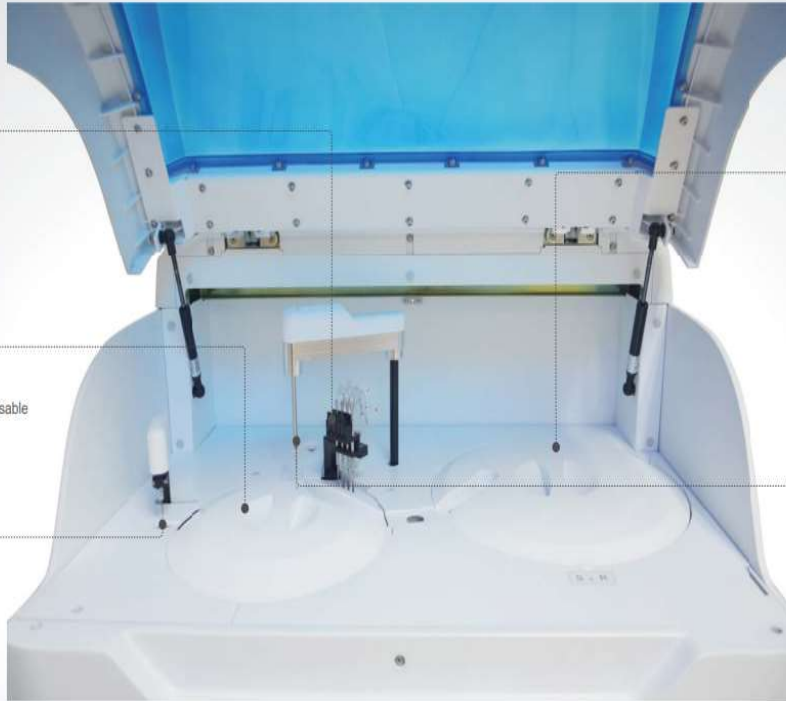
Reaction Disk

- 80 reaction cuvettes, Optical plastic, Reusable
- 100 μ L minimum reaction volume
- Reaction time: 12 min, 32 min



Mixer

- Mixer Wash with pre-heated water before mixing
- 1400 rpm high speed flat mixing bar
- Simple structure for maintenance



Sample & Reagent Disk

- Up to 90 sample positions, continuous loading
- Supporting polytype primary tube & microcontainer cup
- Up to 90 reagent positions
- Continuously loading during measurement



Sample & Reagent Probe

- 2.0 μ L - 35.0 μ L sample volume with stepping 0.1 μ L
- 20 μ L - 350 μ L reagent volume with stepping 1 μ L
- Anti-collision and self-recovery function
- Highly polished to prevent cross-contamination
- Liquid level detection and clot detection

Test Menu



Cardiac

CK
CK-MB
 α -HBDH
LDH
*LDH1



Pancreatic

α -AMY
*LIP



Inorganic Ion

*Fe (Iron)
*Ca
*P (phos)
*Mg



Diabetes

GLU
*LAC
*HbA1c



Hepatic

TBA *Ammonia
ALT (SGPT) *PA
AST (SGOT) *CHE
ALP *AFU
GGT
TBIL
DBIL
TP
ALB



ISE

Na
K
Cl
Ca
pH



Lipids

HDL-C
LDL-C
TC
TG
ApoE
Lp(a)
Hcy
*ApoA1
*ApoB



Renal

Cr (CREA)
Uric Acid
Urea
*Cysc
*mALB
* α 1-MG
* β 2-MG



Special Protein

*ASO *C3
*RF *C4
*CRP (Full Range) *ACP
*UIBC *Transferrin
*Urine/CSF Protein
*G6PD
*IgA
*IgM
*IgG

شركة المجهر المتكامل التجارية

AL MEJHAR AL MOTAKAMEL COMMERCIAL CO.

PROFESSIONAL CAMERA FOR RESEARCH

LIFE SCIENCE

DP75

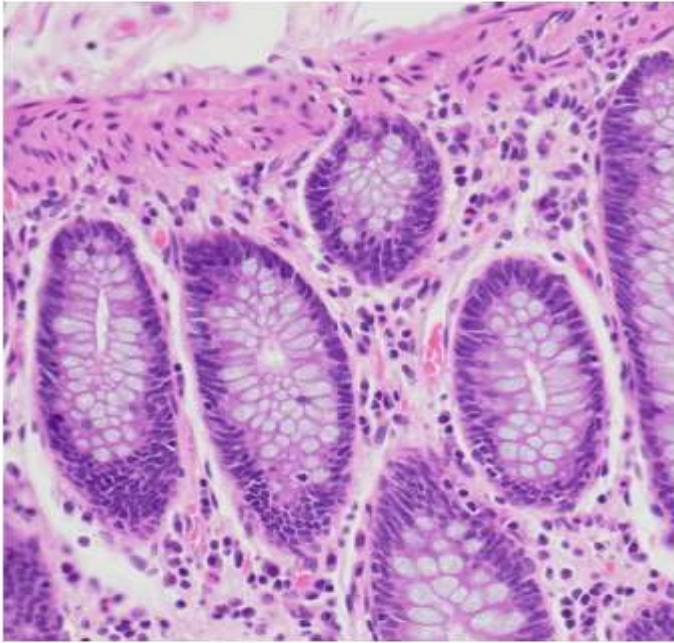
Digital Microscope Camera

Empowering Microscopic Discoveries

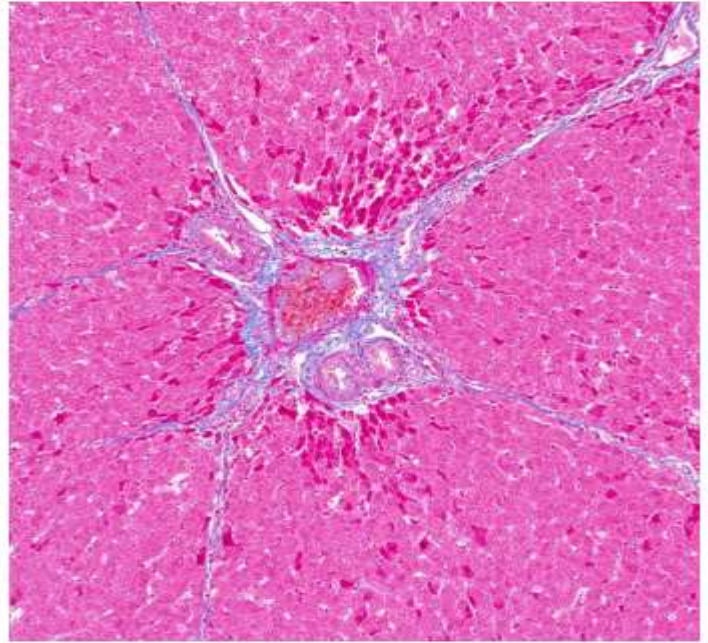


One Camera. Multiple Applications.

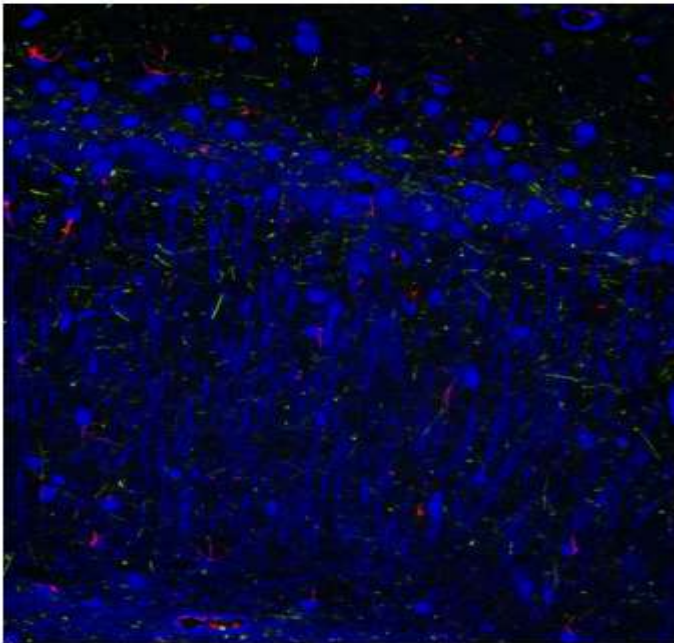
The DP75 digital microscope camera is a high-performance, multi-application imaging tool that makes it easy to capture high-resolution brightfield or fluorescence images using a single camera. It simplifies your microscopy imaging, so you can focus more on your work.



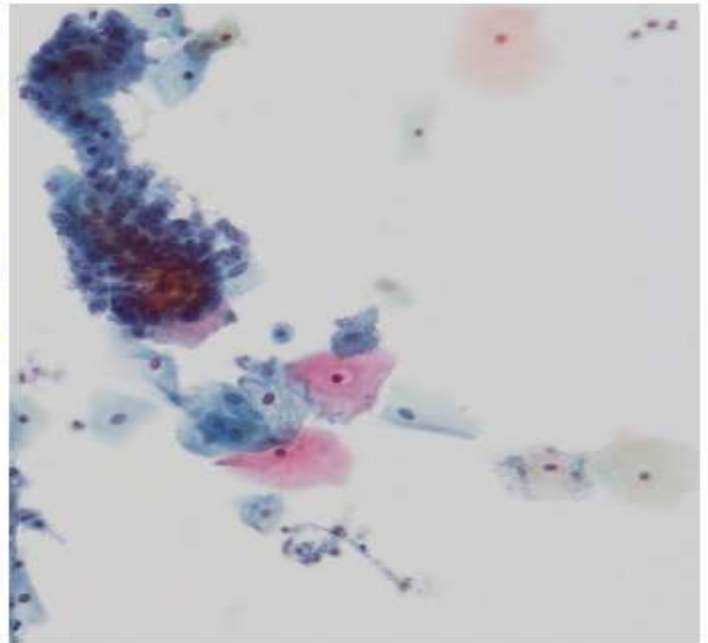
Colon. Stain: HE



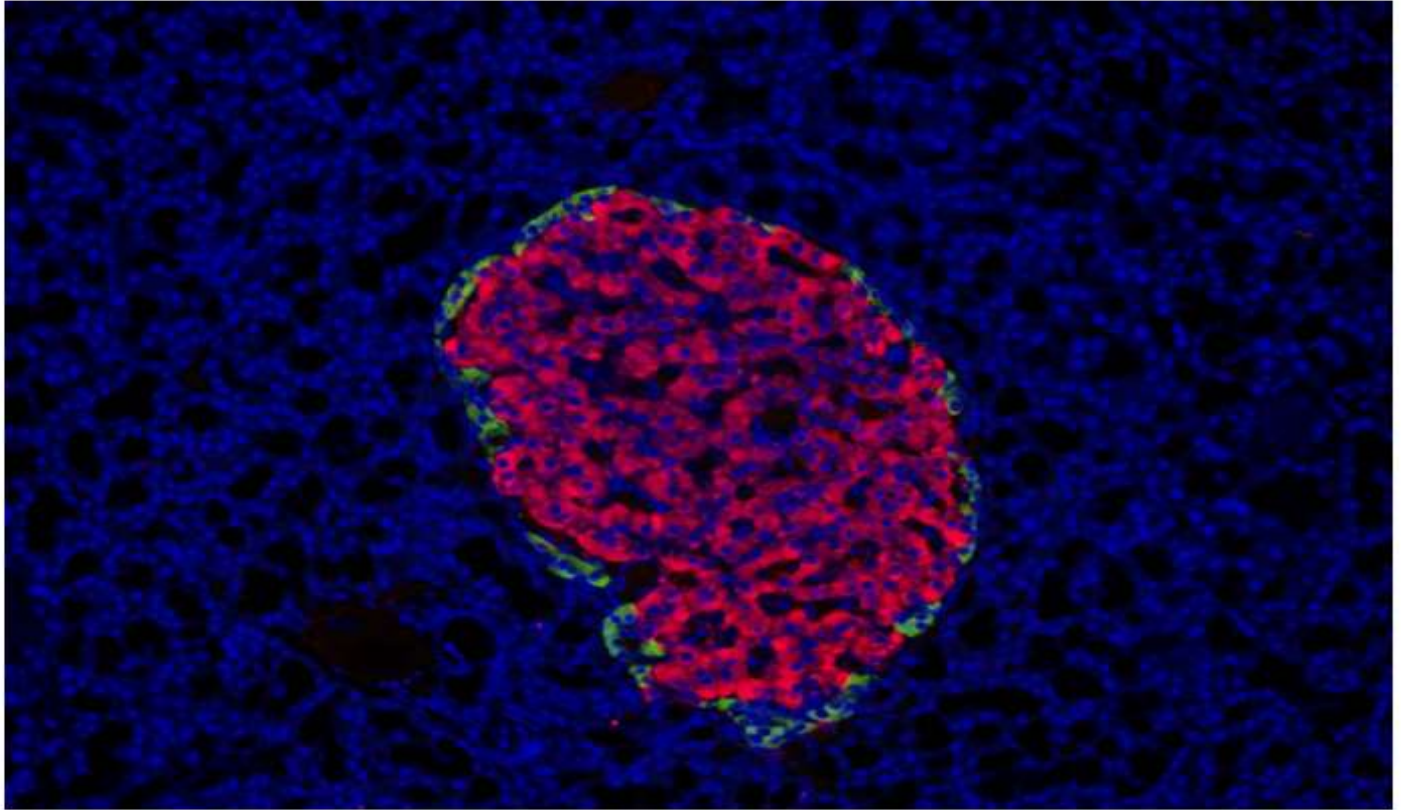
Pig liver. Stain: Masson trichrome



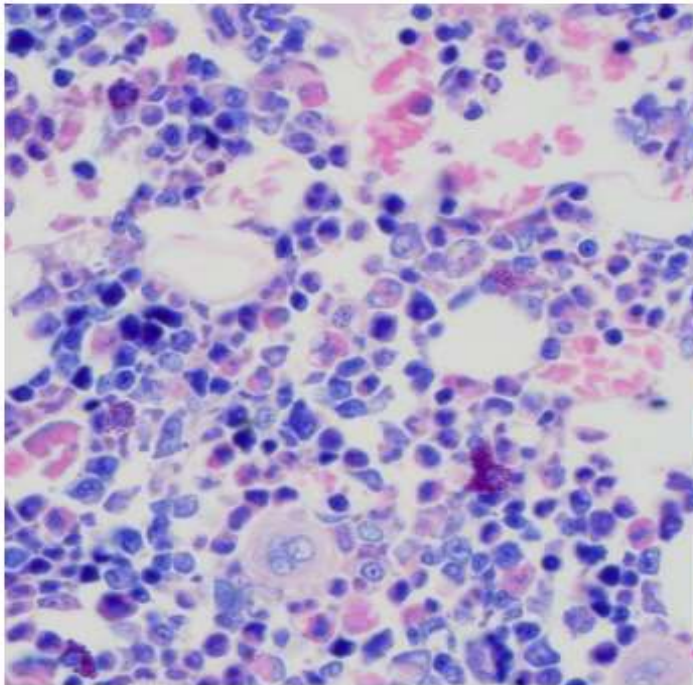
Rat brain. Stain: DAPI Alexa Fluor 555 Cy5



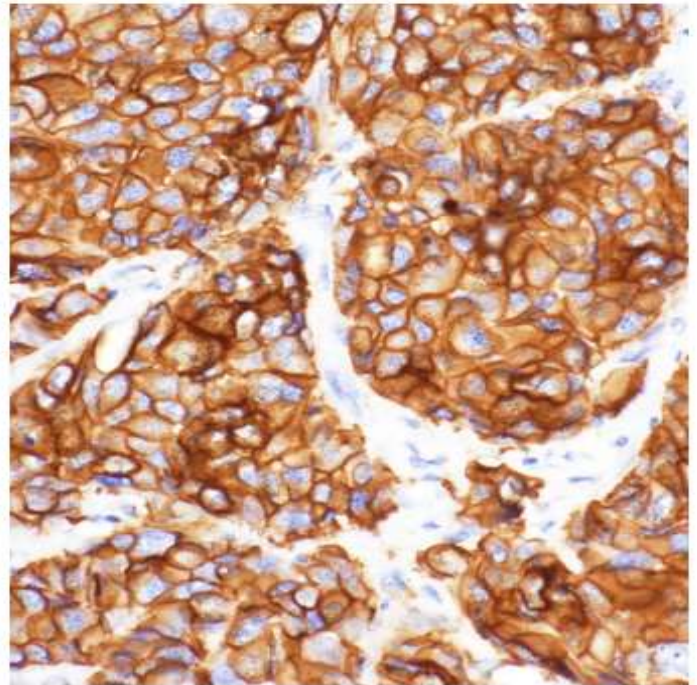
Cytology. Stain: ThinPrep



Rat Pancreas. Stain: DAPI AF555 Cy5



Rat marrow. Stain: Giemsa



Mammary Gland. Stain: HER2

See More without Switching Cameras

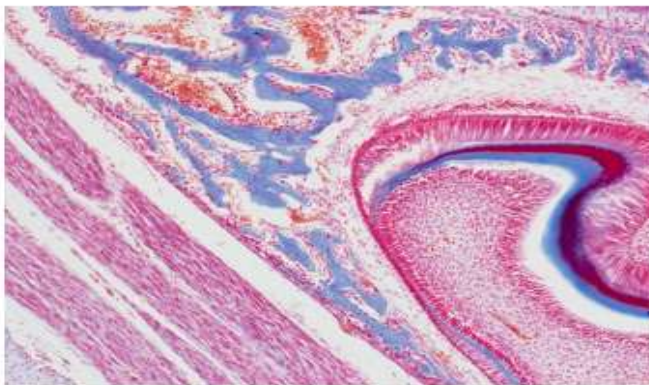
With the DP75 digital microscope camera, there is no need for switching between color and monochrome cameras when you want to capture brightfield and fluorescence images. Now, you can capture both in outstanding quality using a single powerful camera.

Designed to excel in a wide variety of applications, the DP75 camera offers a high-sensitivity cooled CMOS sensor, fluorescence images up to Cy 7.5 via a switchable infrared (IR) cut filter, and high-resolution imaging, making it a versatile tool that is up to the challenge of modern imaging tasks.

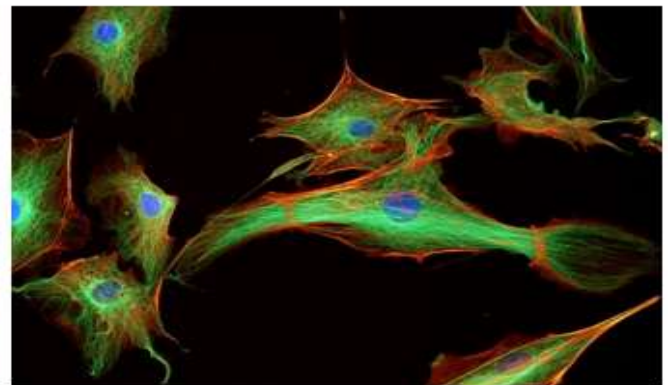
Sharper Images, Clearer Insights

The DP75 camera makes it easier than ever to capture sharp, low-noise images. To push the image quality even further we integrated our real-time TruAI denoising algorithm into the camera. In addition, the DP75 maintains the high color fidelity our cameras are known for, delivering exceptional color reproduction and making your images as vivid as looking through the microscope oculars.

When imaging live specimens, a fast frame rate is important for efficiency and capturing the dynamics of your samples. With a fast frame rate of 22 frames per second (fps) at over 4K resolution and 60 fps at full HD resolution, the camera provides smooth, fast, live images for easy framing and comfortable live observation.



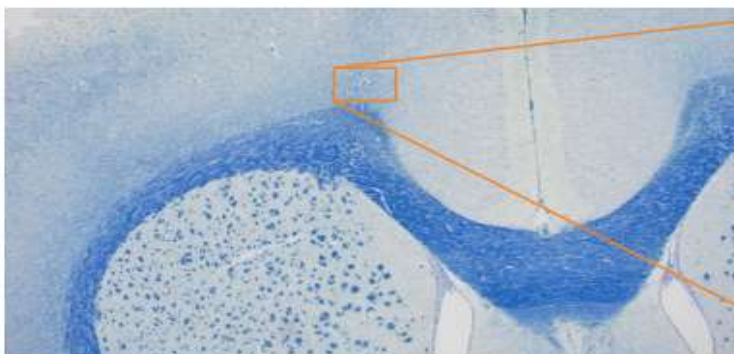
Mouse



BPAC cells

High-Resolution, Wide Field of View Imaging

The camera's wide field of view capabilities enable you to find your target areas quickly, making your research more efficient. In addition, the DP75 camera enables you to capture high-resolution images even at low magnification with a maximum resolution of 8192×6000 through pixel shifting modes.



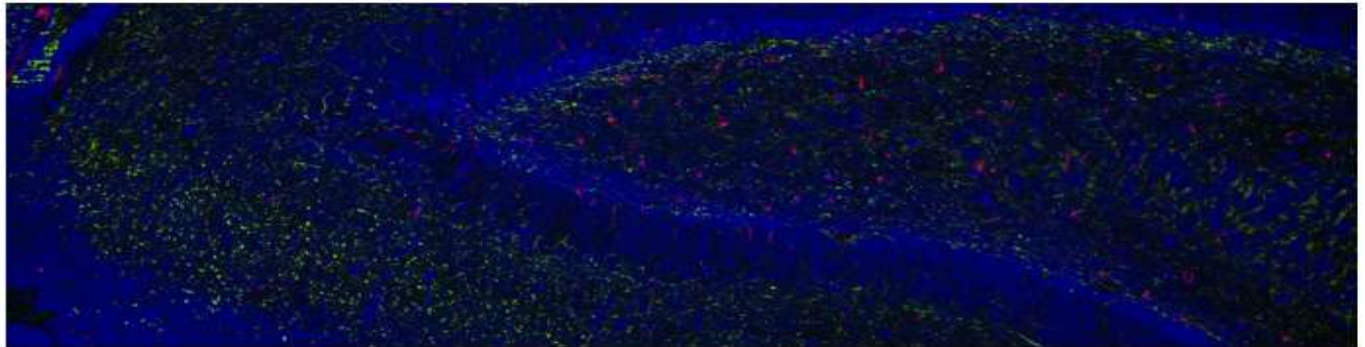
Without pixel shift



With pixel shift

Quantitative Image Data with Wide-Wavelength Fluorescence

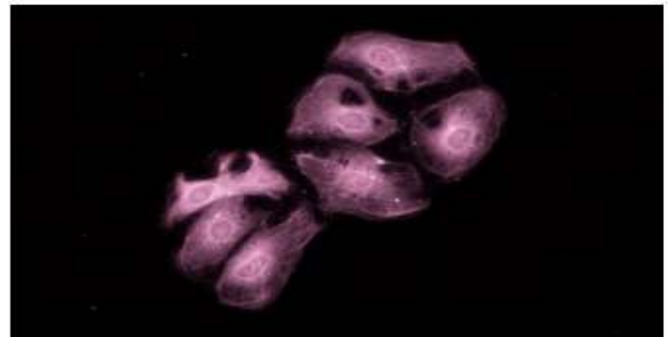
If you are using reagents with infrared emission for multicolor fluorescence imaging, the DP75 camera will transform the way you capture images.



Rat brain, Stain: DAPI Alexa Fluor 555 Cy5

Infrared Fluorescence Imaging

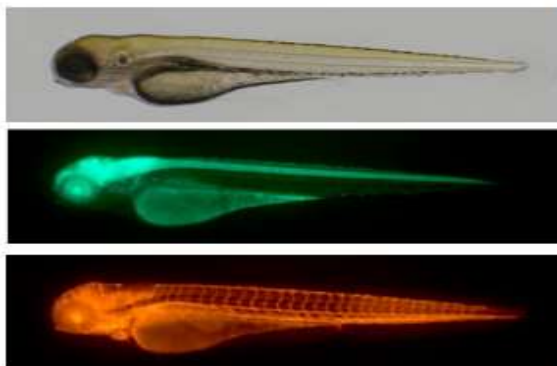
The DP75 camera supports multiple staining combinations and wavelengths up to 1000 nm with a switchable IR cut filter. This setup enables you to—for example—check your sample conditions with your standard widefield microscope before spending time on a confocal microscope to finalize your imaging.



Ptk2, Stain: Cy7

Qualitative Analysis Capabilities

The camera's linear mode enables intensity analysis without needing a dedicated monochrome camera. You also can access raw RGB pixel values for quantitative data regarding staining density or brightness. Moreover, the camera enables you to easily overlay fluorescence and brightfield images with pixel precision since you are using the same sensor for brightfield and fluorescence. This enables you to precisely identify the location of fluorescent expression, helping you focus on the relevant morphology and localization of your specimen.



Original: brightfield and fluorescence images of a zebrafish



Overlaid image

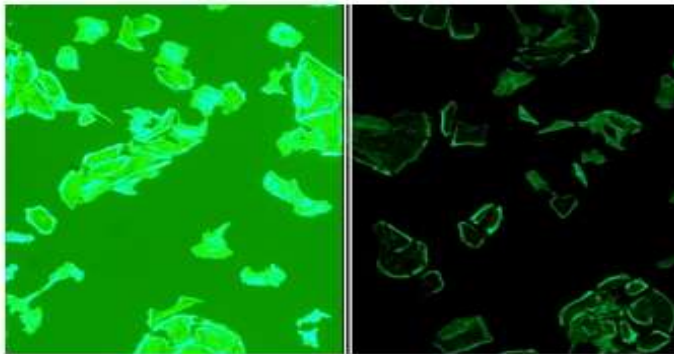
Image provided by Dr. Hiroyuki Nakajima, National Cerebral and Cardiovascular Center

Intelligent Features, Stunning Results

The DP75 camera can make your microscope observations more comfortable and efficient with smart features and AI support.

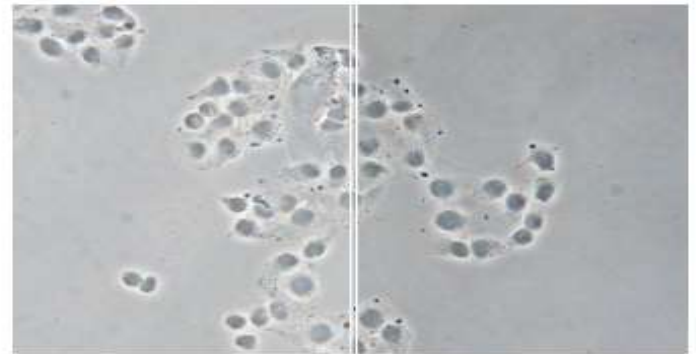
Smart Observation Detection

The AI-based scene detection feature automatically recognizes five observation methods (brightfield, fluorescence, phase contrast, differential interference contrast, and polarization), enabling anyone to obtain high-quality images with minimal training.



AI-scene detection OFF

AI-scene detection ON

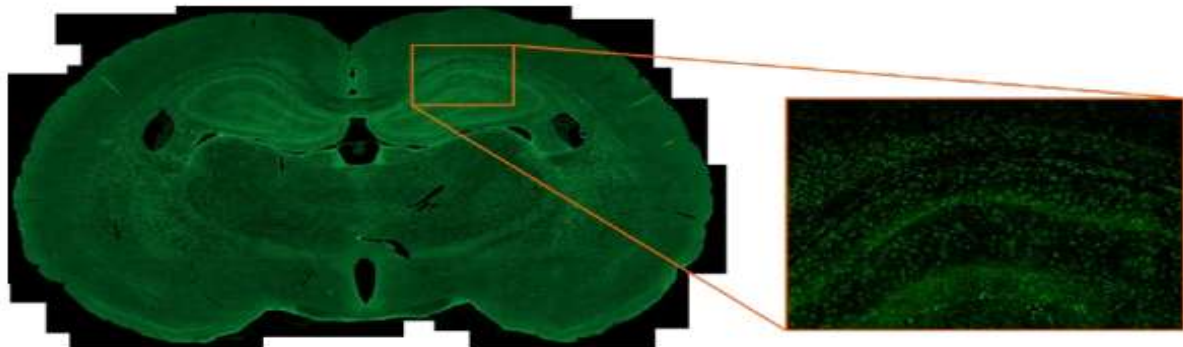


AI-scene detection OFF

AI-scene detection ON

Multiple Image Alignment (MIA) Capabilities

The instant multiple image alignment (MIA) function simplifies the creation of wide-area images by moving the XY stage manually without any motorized setup, and the integrated position navigator helps ensure that you always know your position on the sample during brightfield and fluorescence imaging.



Flexible Upgrades

Since the DP75 camera uses USB 3.1 Gen2, it is compatible with most PCs for a simple, effective upgrade to your current system.



*Please see the system PC requirements in the specifications section.

DP75 Specifications

Item		Specifications
Camera type		Single-chip color camera (pixel shifting) Cooling system: Peltier device (active cooling)
Imaging sensor size		1.1-inch, 12.37-megapixel color CMOS image sensor, global shutter
Camera mount		C-mount
Effective image resolution		8192 × 6000 (pixel shifting), 4096 × 3000 (3CMOS mode), 4096 × 3000 (1 × 1), 3840 × 2160 (1 × 1) (by cropped), 2048 × 1500 (2 × 2), 2048 × 1500 (1 × 1), 1920 × 1080 (1 × 1), ROI
Sensitivity		1x/2x/4x/8x/16x/32x (ISO 100/200/400/800/1600/3200 equivalent)
A/D		12-bit
Metering modes	Mode	Auto / SFL-Auto / Manual
	Adjustment	±2.0 EV step: 1/3 EV
	Time	28 μs-120 s
Binning		2 × 2
White balance		Auto/One-touch/Manual/Area designation
Black balance		Auto/One-touch/Manual/Area designation
Live frame rate *1		4096 × 3000 (1 × 1): 22 fps, 2048 × 1500 (2 × 2): 22 fps, 2048 × 1500 (1 × 1): 44 fps, 1920 × 1080 (1 × 1): 60 fps
Still image transfer time		8192 × 6000 (pixel shifting): approx. 3 s, 4096 × 3000 (3CMOS Mode): approx. 2 s, 4096 × 3000 (1 × 1): approx. 1.2 s, 2048 × 1500 (2 × 2): approx. 1.0 s, 2048 × 1500 (1 × 1): approx. 0.4 s, 1920 × 1080 (1 × 1): approx. 0.4 s
Monochrome mode		Available (Standard/Custom)
Color space		sRGB, AdobeRGB*2
Linear mode		Available
IR cut filter		Switchable: In: 400 nm up to 650 nm Out: 400 nm up to 1000 nm
Manual panoramic imaging (instant MIA) **3**4		Available (supports fluorescence as well as brightfield)
Auto scene recognition mode**4		Available using an AI algorithm (supports: brightfield, fluorescence, phase contrast, differential interference contrast, and polarization)
Position navigator**4		Available
Control software		cellSens Entry / Standard / Dimension v. 4.2.1 or later DP2-TWAIN v. 10.5. or later
External trigger		Available (input/output)
Dimensions (W × D × H)	Camera interface cable	Approx. 2.7 m (8.9 ft)
	AC adapter	107 × 47 × 30 mm (4.2 × 1.9 × 1.2 in.)/Approx 0.3 kg (0.7 lb)

DP75 System Requirements

Item	Specifications
CPU	Intel Core i5, Intel Core i7, Intel Xeon, or equivalent of Intel CPU
RAM	8 GB or more (recommended 16 GB or more)
PC I/F	USB 3.1 Gen2 (TypeA) (a dedicated board is unnecessary)**5.
OS	Windows 10 Pro (64-bit)
	Windows 11 Pro (64-bit)

*1 Frame rate may decrease depending on the condition of your PC, monitor resolution, and/or software.

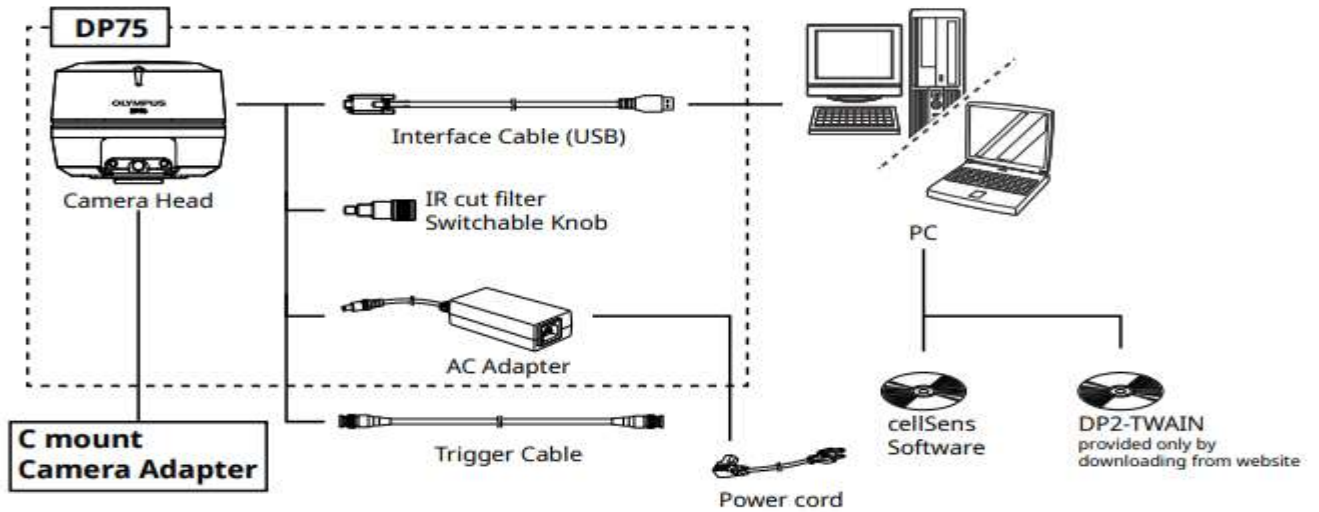
*2 Monitor designed to meet Adobe RGB is required.

*3 Manual Process option license is required for cellSens Standard.

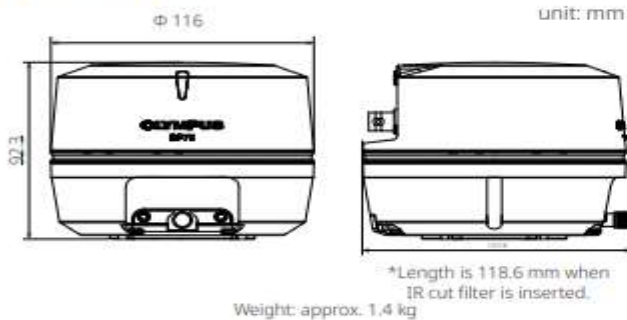
*4 Not available in the combination of cellSens Entry or DP2-TWAIN.

*5 Operatable with USB3.1 Gen1 (5 Gbps), but framerate is decreased.

System Diagram



DP75 Dimensions



One Camera. Multiple Applications.

The DP75 digital microscope camera is a high-performance, multi-application imaging tool that makes it easy to capture high-resolution brightfield or fluorescence images using a single camera. It simplifies your microscopy imaging, so you can focus more on your work.

Get in Touch >>

Shaking Water Bath



Shaking Water Bath

- ❖ Quiet Shaking Mechanism
- ❖ Universal Rack takes Flask from 50 ml up to 2 l
- ❖ PID Temperature Control up to 99 °C
- ❖ Shakes from 20 to 250 rpm Digital Speed Control
- ❖ Three Models with Bath Capacities 20l, 30 l and 45 l
- ❖ Stainless Steel Bath (SUS304)



Digital PID Controller

provide $\pm 0.1^\circ\text{C}$ accuracy, $\pm 0.5^\circ\text{C}$ uniformity temperature range from ambient 5°C to 99°C , touch-sensitive membrane type control panel

Quiet Shaking Mechanism

electronically controlled shaking mechanism provides noiseless reciprocal motion and precise speed control from 20 to 250 rpm, perfect for long time use

High Quality Stainless Steel

corrosion resistant (SUS304) bath

Over Temperature Protection

and over current protection capability ensure user safety

Universal Spring Rack

accommodates various sized flask from 50 ml to 2000 ml and any kinds of tube racks

Model		LSB-015S	LSB-030S	LSB-045S
Dimensions	Bath	300 x 300 x 240	500 x 300 x 240	570 x 370 x 240
(W x D x H mm)	Overall	534 x 344 x 300	734 x 344 x 300	804 x 424 x 300
Bath Capacity		22 l	30 l	45 l
Heater		1.4 kW	2.1 kW	2.5 kW
Temperature	Range	Ambient $+ 5^\circ\text{C}$ to 99°C		
	Accuracy	$\pm 0.1^\circ\text{C}$		
	Uniformity	$\pm 0.5^\circ\text{C}$		
Controller		Digital PID Controller		
Shaking	Speed	20 to 250 Stroke / min		
	Stroke	Adjustable: 15 to 30 mm		
Display		LED 4 Digit Display		
Timer		99hr 59 min / continuous		
Material	Bath	Stainless Steel		
	Case	Powder Coated Steel		
	Rack	Stainless Steel Spring Rack		
Safety		Over Temp. Cut-Off, Over Current & Leakage Breaker		
Electric Supply		110V, 60 Hz or 220V, 50/60Hz		

Flat Lid included / Stainless Steel Gabled Lid order separately

Optional Accessories



SB-0XX



Test Tube Rack

Custom made order is available
Specifications can be changed without prior notice for quality improvement.

General Incubator



- ❖ Ambient to 70°C Range Microprocessor PID Control Digital Set and Readout
- ❖ Forced Convection Uniform Temperature Control
- ❖ Electronic Control with Safety Back-Up
- ❖ Optional Humidifier
- ❖ Optional RS-485 Communication Interface

General Incubator

Economical and Practical
ideal for general laboratory incubation require temperature range from ambient to 70 °C with precision digital PID controller

Digital PID Control
provides precise temperature control, timer, alarm and auto-tuning

Forced Convection
air flow by silent fan motor maintain uniform temperature in the chamber

Inner Tempered Glass Door
with silicone packing easy sample view without door opening

Stainless Steel Chamber

Safety and Convenience
over temperature and current protection capability ensure user safety and adjustable sliding rack, silent fan motor



Optional Program Controller

16 Bit Self auto-tuned Fuzzy PID micro processor Clear LCD back light display 10 step program. RS-485 Interface with a pack of Labtech Software.



LIB-300M

Model	LIB-010M	LIB-030M	LIB-060M	LIB-080M	LIB-150M	LIB-300M
Dimensions Inner (WxDxHmm)	210 x 210 x 210	300 x 300 x 350	400 x 350 x 400	400 x 400 x 500	500 x 500 x 600	600 x 500 x 1000
Dimensions Outer (WxDxHmm)	280 x 280 x 360	460 x 520 x 672	520 x 470 x 680	550 x 587 x 827	660 x 670 x 970	745 x 715 x 1460
Capacity	9.3 L	32 L	56 L	80 L	150 L	300 L
Heater	100 W	100 W	150 W	200 W	300 W	500 W
Temperature Range	Ambient +5 °C to 70 °C					
Accuracy	± 0.1 °C at 37 °C					
Uniformity	± 0.5 °C at 37 °C					
Display	LED 4 Digits Display					
Controller	Microprocessor PID Multi-Function Controller					
Timer	99 hr 59 min / continuous					
Material Inner	Stainless Steel (SUS 304)					
Material Outer	Powder Coated Steel					
Shelves	Adjustable 2 & 4 Shelves					
Door Inner	No Glass	Tempered Safety Glass				
Door Outer	Silicon Packing Double Door					
Circulation	Forced Convection Air Circulation					
Safety	Over Temp. Cut-Off / Over Current breaker					
Electric Supply	110V, 60Hz or 220V, 50/60Hz					

❑ Custom made order is available
Specifications can be changed without prior notice for quality improvement.