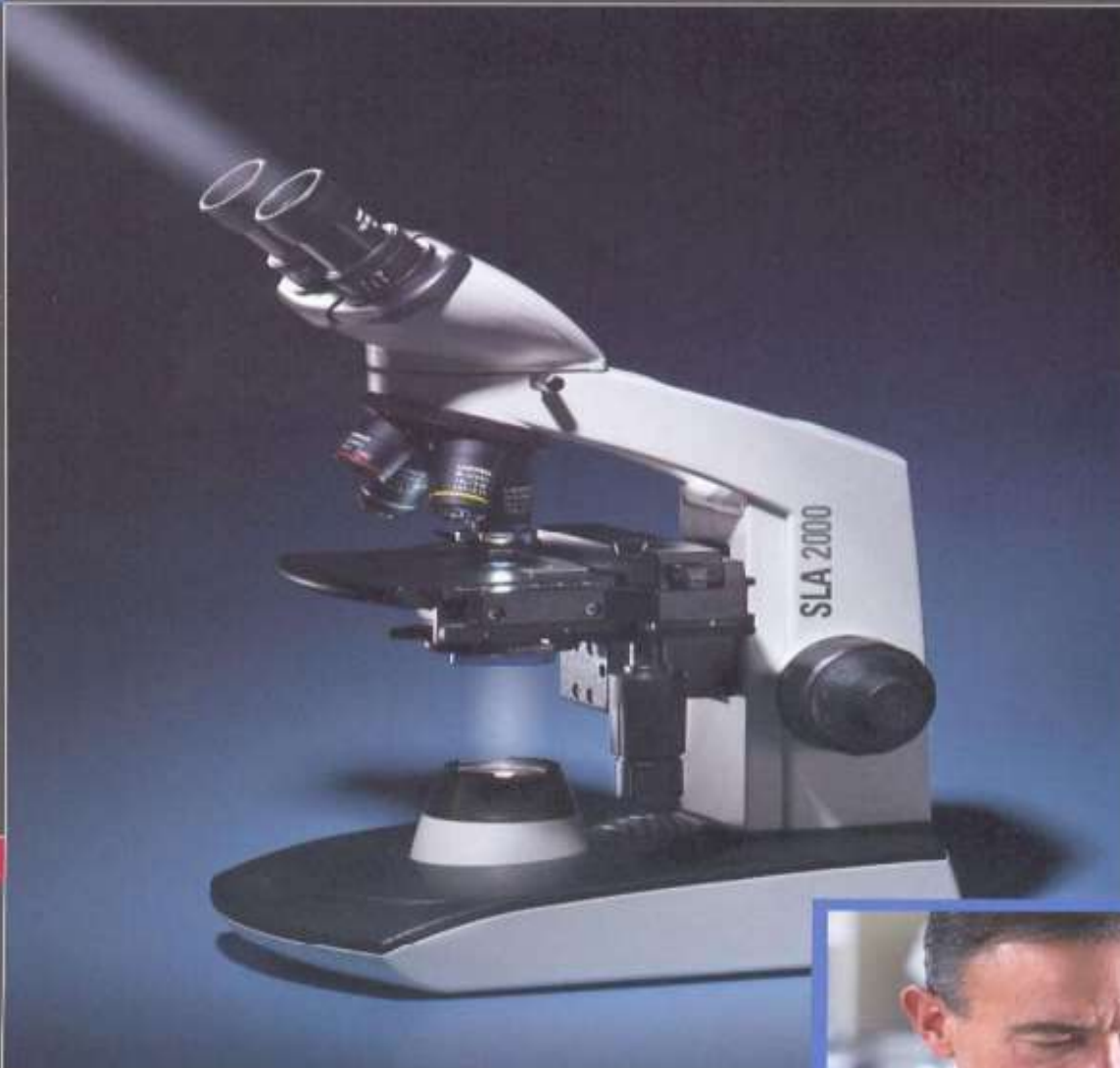


شركة المجهر المتكامل التجارية

AL MEJHAR AL MOTAKAMEL COMMERCIAL CO.

SLA 2000

Lab Microscopy



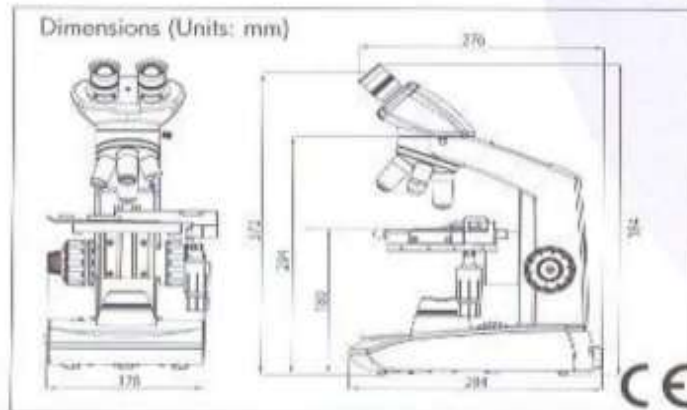
**LABOMED**   
ideas for vision



## SLA 2000 Lab Microscope

Specifications

Item	Specifications
- Stand	Sturdy stand with antirust, antibacterial materials. Heat isolating handrests
- Viewing Body	45° inclined, 360° rotatable dovetail, interpupillary distance 54 - 74mm
- Eyepieces	Wide field focusable paired eyepieces* 10x/18mm with foldable eye guard, lockable, antifungal
- Objectives	LP series DIN Semi-Plan Achromatic objectives* 4x, 10x, 40x (spring loaded), 100x (spring loaded, oil), antifungal
- Nosepiece	Quadruple nosepiece (ball bearing type) with rubber grip, click stop for exact position
- Mechanical stage	Rectangular stage size 135 x 124mm, X/Y travel range 76mm x 50mm, low drive movement controls, single specimen holder
- Condenser	Sub stage Abbe condenser NA 1.25 with aspheric lens, iris diaphragm with snap-in blue filter. Rack and pinion movements on metal guides
- Focusing	Co-axial coarse and fine focusing on ball drive system for smooth operation, fine drive movement 0.2mm/division, tension adjustment for torque control
- Illumination	LED* or Halogen 6V-20W illumination with variable illumination control. Up to 100,000 hours of LED life and 2,000 hours of Halogen lamp life.
- Electricals	Universal input 100V - 240V AC, 50/60Hz. Built-in voltage stabilizer
- Optional accessories	Phase contrast kit with 10x and 40x LP series Phase objective, Polarizing kit, Dark field kit, Green filter and daylight mirror attachment.



### Configurations

Description	Configuration	Cat. No.
Halogen Standard	Binocular	5131000
LED* Standard	Binocular	5132000

\* Standard configurations come with 4x, 10x, 40x (S1) and 100x (S1, O1) objectives  
 \*\* LED version is with rechargeable battery and detachable power cord.  
 \* All optical components are made of environment friendly lead free optical glass.