



Accurate

Reliable

Cost Effective

شركة المجهر المتكامل التجارية

AL MEJHAR AL MOTAKAMEL COMMERCIAL CO.

Product Catalog 2024 - 2025

WE ARE A LOCAL DISTRIBUTOR OF ALL INSTRUMENTS IN OUR CATALOGUE

## AUTOCLAVE STEAM STERILIZER



### Product Description

SPECS 16L 24L Chamber Capacity 23x39cm 26x46cm Inside Capacity 16.20L 24.41L Outside Size 47x33x41cm 60x35x47cm Sterilize Temperature Highest 126o Celsius Sterilize Pressure Highest 1.5kg/cm<sup>3</sup> Sterilize Time 35 minutes Heater 1000W 1500W Material Quality Stainless Steel SUS No. 304, Boiler chamber surface with burnish Electric Current 220V 7A9A Safety Equipment Double pressure adjustment, adjust the inner pressure, if over standard value automatic vent

## SCMOS Series USB2.0 Eyepiece Camera



### • SCMOS Series USB2.0 Eyepiece Camera

- Microscope eyepiece camera with 23.2 diameter and compact size;
- Easy to extend to C or CS- Mount camera with high quality lens(optional);
- High-quality camera with Aptina CMOS sensor;
- Auto white balance and auto-exposure; Brightness, contrast, chroma, and saturation can be adjusted;
- High-speed USB2.0 interface and high frame rate video display keep the screen smooth without interruption;
- With advanced video & image processing application View;
- Custom programmable with SDK provided;

## Specification

### SCMOS Series USB2.0 CMOS Eyepiece Camera(18)

SCMOS is an economic version with simple and compact structure CMOS eyepiece camera. So here, the S means simple and compact. USB2.0 is used as the data transfer interface.

Microscope eyepiece camera with 23.2 diameter and compact size;

The SCMOS eyepiece camera comes with high-speed USB2.0 interface and high frame rate video display keep the screen smooth without interruption;

Also the SCMOS comes with advanced video & image processing application View;

The SCMOS can be widely used to transfer the mono or binocular student microscope to digital microscope.

With 23.2 to 30mm or 23.2 to 30.75 convert ring, the SCMOS camera can also change the stereo microscope to digital stereo microscope.

### SCMOS Series Camera's Potential Application Configuration



SCMOS Series Camera with Microscope

Order Code	Sensor & Size(mm)	Pixel(μm)	G Sensitivity Dark Signal	FPS/Resolution	Binning	Exposure
SCMOS05000KPA TP505000A	5.0M/Aptina(C) 1/2.5"(5.70x4.28)	2.2x2. 2	NA	2@2592x1944 3@2048x1536 5@1600x1200 7.5@1280x1024	N/A	Auto
SCMOS03000KPA TP503000A	3M/Aptina(C) 1/2.7" (4.506x3.38)	2.2x2. 2	NA	3 @2048x1536 5 @1600x1200 7.5 @1280x1024	N/A	Auto

OTHER HARDWARE CONFIGURATION

Spectral Range	380-650nm (with IR-filter)
White balance	Auto/ROI/Manual White Balance(New Model) Auto(Products before 2020)
Color Rendering Technique	NA
Capture/Control SDK	Windows/Linux/macOS/Android Multiple Platform SDK(Native C/C++, C#/VB.NET, Python, Java, DirectShow, Twain, etc);
Recording System	Still Picture and Movie
Cooling System*	Natural

OPERATING ENVIRONMENT

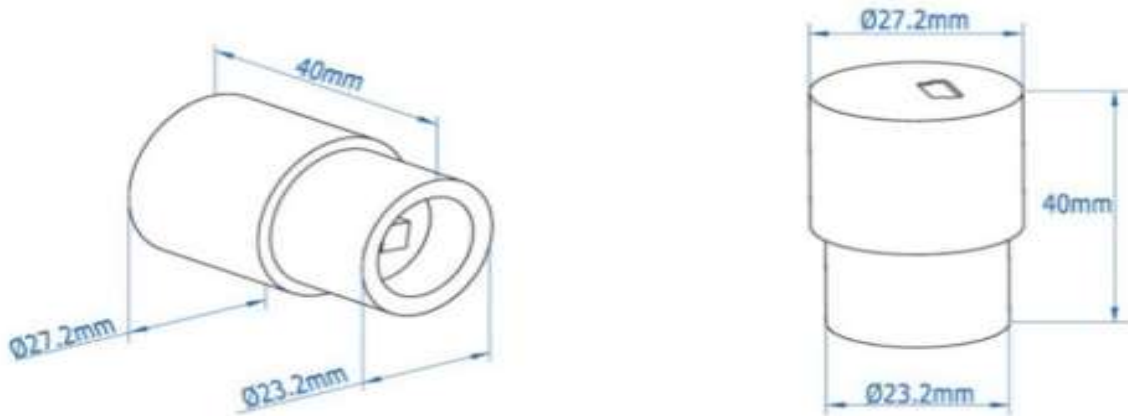
Operating Temperature	-10℃- 50℃
Storage Temperature	-20℃- 60℃
Operating Humidity	30-80%RH
Storage Humidity	10-60%RH
Power Supply	DC 5V over PC USB Port

SOFTWARE ENVIRONMENT

Operating System	Support Microsoft Windows XP / Vista / 7 / 8 / 10 (32 & 64 bit) OS X (Mac OS X), Linux
PC Requirements	CPU: Equal to Intel Core2 2.8GHz or Higher
	Memory: 2GB or More
	USB port: USB2.0 High-speed Port
	Display: 17" or Larger
	CD-ROM

## Dimension of SCMOS Series Camera

Installation drawings. The SCMOS Camera body, made from aluminum alloy blackening, ocular ousing: Dia. 27.2 X 40mm ensures a heavy duty, workhorse solution. The camera is designed with a high quality IR-CUT filter to filter the infrared light and protect the camera sensor. No moving parts included. This design ensures a rugged, robust solution with an increased lifespan when compared to other industrial camera solutions.



Dimension of SCMOS Series Camera



SCMOS Series Camera with Microscope

## Packing Information of SCMOS



### Standard Camera Packing List

A	Carton L:52cm W:32cm H:33cm (50pcs, 12-17Kg/ carton), not shown in the photo
B	Gift box L:14.5cm W:9.5cm H:6.0cm (0.15-0.15Kg/ box)
C	SCMOS series USB2.0 C-Mount camera
D	High-Speed USB2.0 A male to mini B 5-pin male gold-plated connectors cable /1.5m
E	CD (Driver & utilities software, Ø8cm)

### Optional Accessory

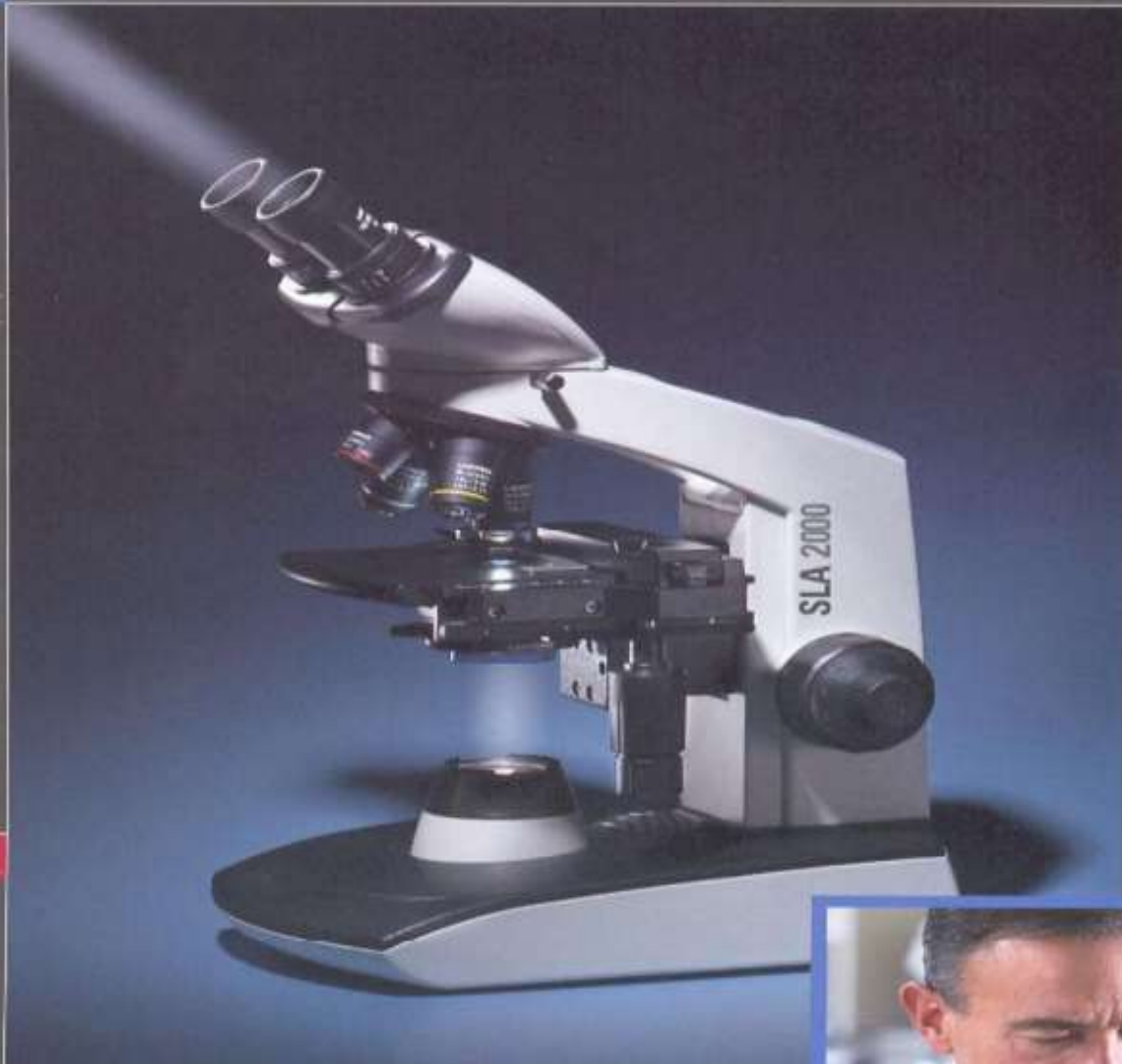
F	C-Mount Adapter Housing:108027(HS502)
G	108015(Dia.23.2mm to 30.0mm Ring)/Adaptor rings for 30mm eyepiece tube
H	108016(Dia.23.2mm to 30.5mm Ring)/ Adaptor rings for 30.5mm eyepiece tube
I	108017(Dia.23.2mm to 31.75mm Ring)/ Adaptor rings for 31.75mm eyepiece tube
J	Calibration Kit 106011/TS-M1(X=0.01mm/100Div.); 106012/TS-M2(X,Y=0.01mm/100Div.); 106013/TS-M7(X=0.01mm/100Div., 0.10mm/100Div.)

شركة المجهر المتكامل التجارية

AL MEJHAR AL MOTAKAMEL COMMERCIAL CO.

SLA 2000

Lab Microscopy



**LABOMED**   
ideas for vision

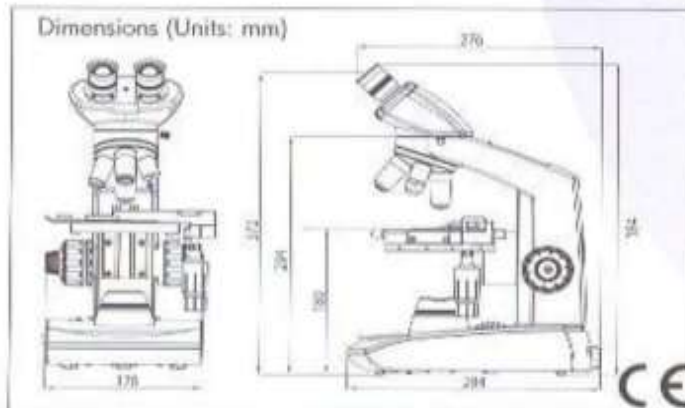




## SLA 2000 Lab Microscope

Specifications

Item	Specifications
- Stand	Sturdy stand with antirust, antibacterial materials. Heat isolating handrests
- Viewing Body	45° inclined, 360° rotatable dovetail, interpupillary distance 54 - 74mm
- Eyepieces	Wide field focusable paired eyepieces* 10x/18mm with foldable eye guard, lockable, antifungal
- Objectives	LP series DIN Semi-Plan Achromatic objectives* 4x, 10x, 40x (spring loaded), 100x (spring loaded, oil), antifungal
- Nosepiece	Quadruple nosepiece (ball bearing type) with rubber grip, click stop for exact position
- Mechanical stage	Rectangular stage size 135 x 124mm, X/Y travel range 76mm x 50mm, low drive movement controls, single specimen holder
- Condenser	Sub stage Abbe condenser NA 1.25 with aspheric lens, iris diaphragm with snap-in blue filter. Rack and pinion movements on metal guides
- Focusing	Co-axial coarse and fine focusing on ball drive system for smooth operation, fine drive movement 0.2mm/division, tension adjustment for torque control
- Illumination	LED* or Halogen 6V-20W illumination with variable illumination control. Up to 100,000 hours of LED life and 2,000 hours of Halogen lamp life.
- Electricals	Universal input 100V - 240V AC, 50/60Hz. Built-in voltage stabilizer
- Optional accessories	Phase contrast kit with 10x and 40x LP series Phase objective, Polarizing kit, Dark field kit, Green filter and daylight mirror attachment.



### Configurations

Description	Configuration	Cat. No.
Halogen Standard	Binocular	5131000
LED* Standard	Binocular	5132000

\* Standard configurations come with 4x, 10x, 40x (S1) and 100x (S1, O1) objectives

LED version is with rechargeable battery and detachable power cord.

\* All optical components are made of environment friendly lead free optical glass.

شركة المجهر المتكامل التجارية

AL MEJHAR AL MOTAKAMEL COMMERCIAL CO.

**EVIDENT**

Biological Microscope

**CX23**

Bringing Reliability to the Classroom



## User-Friendly Design and Outstanding Optical Performance



Ergonomic grip

- Ergonomic grips add safety when retrieving the microscope from high places.
- Colored grips indicate the appropriate places to hold the microscope.
- Smooth, rounded design eliminates sharp edges.
- The CX23 microscope is one of the lightest in its class, with a total weight of approx. 5.9 kg (13.01 lbs).

Lift

1



Angled arm enables comfortable carrying



Ergonomic grip for easy carrying

- The arm is angled to keep user's wrists in a comfortable, neutral position.
- The eyepiece can be fixed in place to help prevent damage or loss during transportation.
- A rackless stage and stage cover enable safety and stability during long periods of use.

Carry

2



Fixed eyepieces



Rackless stage and stage cover

- A locking pin keeps the observation tube in place.
- Interpupillary adjustments, ranging from 48 to 75 mm, enables individual users to set it to their needs.
- Eyepoint adjustments accommodate the user's height and provide greater comfort.
- Left and right diopter adjustment enable optimal focus for each eye.

Prepare

3



Convenient and easily accessible power cable storage



Locking pin for easy binocular rotation



Interpupillary adjustment



Eyepoint height adjustment

## Designed for the Classroom



### Set the Sample

4

- An inward-facing rotating nosepiece facilitates a larger working area above the stage, enabling easier operation and specimen exchange or making it easier to apply oil to immersion objectives.
- Objectives with long working distances provide clearance for thick samples and slides.
- Bring specimens into focus quickly by using the coaxial knobs for fine or coarse adjustments. The microscope is built for durability and precise control, whether accessed from the left or right side.
- A torque release function helps prevent damage if excess force is applied to the coarse focusing knob or stage knob.



Inward-facing revolving nosepiece



Coaxial knobs

### Observe

5

- The focus lock helps prevent the objectives from damaging the specimen.
- Field number (FN) of 20 provides a wide field of view.
- The CX23 microscope features plan achromat objectives that preserve outstanding image flatness throughout the field of view.
- The energy saving LED light source provides a long operation lifetime of 20,000 hours.
- Daylight balanced LED illumination preserves the vivid colors on HE-stained samples.



Focus lock



Wide field of view

### Store

6

- A storage compartment on the back of the CX23 microscope makes it easy to stow the power cable after use.
- Protect your investment with an optional custom designed wooden case.
- When the CX23 microscope needs to be left unattended, a built-in security slot enables attachment of an anti-theft cable.



Cable storage compartment



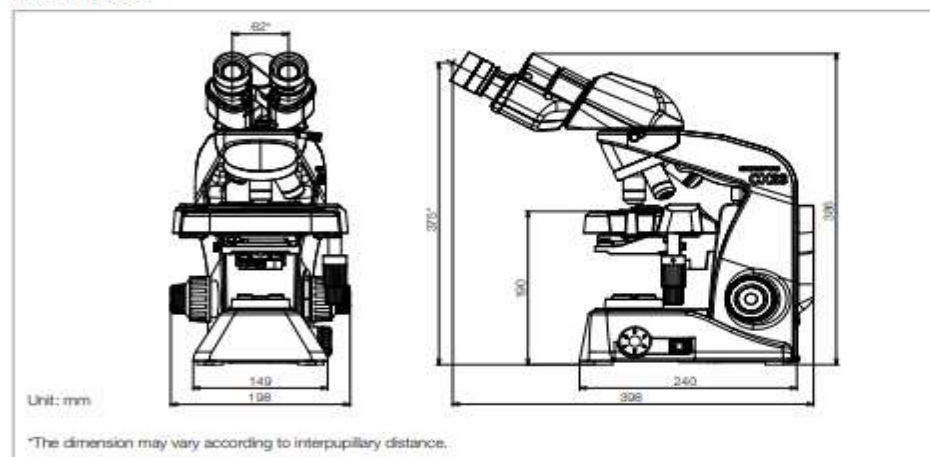
Built-in security slot

## CX23 Specifications

Model	CX23LEDRF (S1/S2)	CX23RTFS2
Body	Aluminum die-cast metal frame, protective plastic covering	
Optical System	Infinity optical system	
Illumination System	Built-in transmitted illumination system LED power consumption: 0.5 W (nominal value)	
Focusing	<ul style="list-style-type: none"> <li>• Stage height movement</li> <li>• Coarse movement stroke: 15 mm</li> <li>• Coarse adjustment limit stopper</li> <li>• Torque adjustment for coarse adjustment knob</li> <li>• Fine focus knob (minimum adjustment gradations: 2.5 μm)</li> </ul>	
Revolving Nosepiece	Fixed quadruple nosepiece with inward tilt	
Stage	Wire movement mechanical fixed stage <ul style="list-style-type: none"> <li>• Size (W × D): 174 mm × 89 mm</li> <li>• Traveling range (X × Y): 76 mm × 30 mm</li> <li>• Specimen holder</li> <li>• Specimen position scale</li> </ul>	
Observation Tube	Type	Binocular   Trinocular
	Eyepiece	10X Field Number (FN): 20   15X Eyepiece (FN): 12 (optional)
	Tube inclination	30°
	Light path selector	None   Eyepiece/Camera port = 100/0 or 0/100
	Interpupillary distance adjusting range	48 – 75 mm
Condenser	<ul style="list-style-type: none"> <li>• Abbe condenser NA 1.25 with oil immersion</li> <li>• Built-in aperture iris diaphragm</li> </ul>	
Objectives	Plan Achromat 4X NA 0.1 W.D. 27.8 mm 10X NA 0.25 W.D. 8.0 mm 20X NA 0.4 W.D. 2.5 mm (optional) 40X NA 0.65 W.D. 0.6 mm 100XOil NA 1.25 W.D. 0.13 mm (CX23LEDRFS1 built-in, CX23LEDRFS2/RTFS2 optional)	
Optional Accessories	Reflection mirror (CH20-MM), eyepiece micrometer Dust cover, darkfield stop (CH2-DS+CH2-FH) Field Diaphragm (CX23-FS)* Dedicated wooden case (CH20-WB2)	Reflection mirror (CH20-MM), eyepiece micrometer Dust cover, darkfield filter (CH2-DS)
Dimensions (W × D × H)	198 mm × 398 mm × 386 mm	198 mm × 398 mm × 430 mm
Weight	Approximately 5.9 kg	Approximately 6.5 kg
Rated Voltage/Electric Current	AC 100 – 240 V 50/60 Hz 0.4 A	
Power Consumption	Less than 2 W	

\*CX23-FS is included in CX23RTFS2 standard set

## DIMENSIONS



Dedicated wooden case (optional)

Specimen courtesy of :  
 JAPANESE FOUNDATION FOR CANCER RESEARCH  
 Cancer Institute, Cancer Institute Hospital  
 Department of Pathology  
 Futoshi Akiyama, M.D., Ph.D.  
 Yuichi Ishikawa, M.D., Ph.D.

- EVIDENT CORPORATION is ISO14001 certified.
- EVIDENT CORPORATION is ISO9001 certified.
- EVIDENT CORPORATION is ISO13485 certified.

• All company and product names are registered trademarks and/or trademarks of their respective owners.  
 • Specifications and appearances are subject to change without any notice or obligation on the part of the manufacturer.

[EvidentScientific.com](http://EvidentScientific.com)

**EVIDENT**

**EVIDENT CORPORATION**  
 Shinguku Monolith, 2-3-1 Nishi-Shinguku, Shinguku-ku, Tokyo 163-0910, Japan

**OLYMPUS**

شركة المجهر المتكامل التجارية

AL MEJHAR AL MOTAKAMEL COMMERCIAL CO.



**11231 BBC86**

**Biosafety Cabinet, Class II A2**

Length:70 cm,Width:65 cm,Weight:80kg.



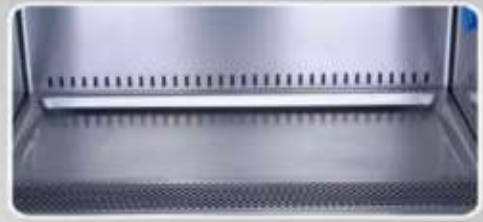
## 11231BBC86 Advantage:



- Small dimension, save space.
- Centrifugal fan, speed adjustable; H14 HEPA filter.
- Large LCD display: Operators can check detailed status of the cabinet, such as inflow and downflow velocity, work area temperature and humidity, filter pressure, UV working time and filter working time, filter life indicator etc.
- Time reserve function: This can save 30 minutes waiting time after activating the cabinet and the sterilization time after experiment.
- Remote control: Each function can be realized 6 meters away from the cabinet by remote control, which can protect the operator under emergency.
- Motorized front window: The front sash is motorized for convenient, one-hand operation.
- Voice prompt function: Airflow alarm, filter replacing alarm and front sash height alarm.

<b>External Size (W*D*H)</b>	700*650*1230 mm	<b>Internal Size (W*D*H)</b>	600*500*540 mm
<b>Tested Opening</b>	Safety Height: ≤200 mm		
<b>Max Opening</b>	400 mm		
<b>Inflow Velocity</b>	0.53 m/s	<b>Downflow Velocity</b>	0.33 m/s
<b>Filter</b>	Two HEPA filters, 99.999% efficient (0.3 microns)		
<b>Front Window</b>	Two-layer laminated toughened glass, 5mm		
<b>UV Lamp</b>	18W*1	<b>Fluorescent Lamp</b>	14W*1
<b>Lighting (Lux)</b>	≥800	<b>Noise</b>	≤60dB
<b>Consumption</b>	500W	<b>Waterproof Socket</b>	2*250W(max)
<b>Display</b>	LCD display	<b>Control System</b>	Microprocessor
<b>Material</b>	Work zone: 304 stainless steel. Body: Epoxy coated cold rolled steel, ABS front panel		
<b>Clean Level</b>	Class 100		
<b>Weight</b>	Net weight: 60kg      Gross weight: 110kg		
<b>Package Size (W*D*H)</b>	950*850*1430 mm		
<b>Standard Accessory</b>	2 UV lamp, Fluorescent lamp, Remote control, Fuse		
<b>Optional Accessory</b>	Base stand, Armrest, Formalin fumigation sterilizer, Ammonium hydrogen carbonate neutralizer, Air curtain tester, Infrared Sterilizer		

Class II A2 Biosafety Cabinet



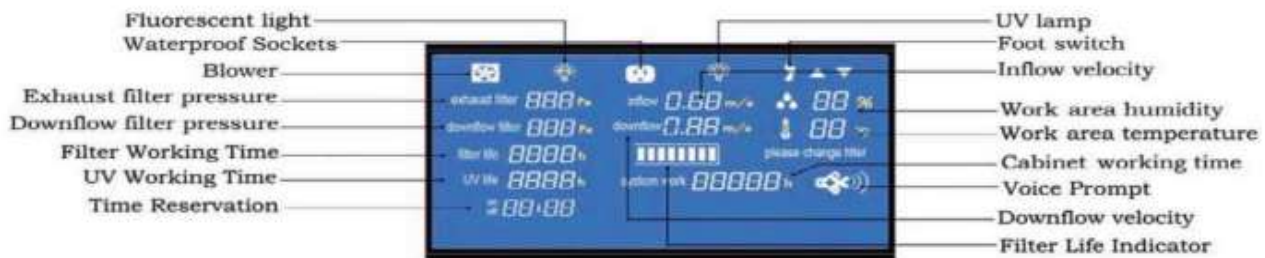
# BIOBASE

## Class II A2 Biosafety Cabinet 11239BBC86



### BIOBASE 11239BBC86 Advantages:

1. Large LCD display. You can find all the information on the screen.



2. Remote Control. Every function can be realized 6 meters away from the cabinet by remote control, which can protect the operators under emergency.

3. Automatic front window. One finger can adjust the height of front window.



## AL MEJHAR AL MOTAKAMEL COMMERCIAL CO.

4. Time reserve function. It can save half an hour waiting time after you active the cabinet and the sterilization waiting time after experiment finishing.
5. Negative pressure plenum surrounds contaminated positive pressure plenum.
6. Digital display of air pressure, air velocity and temperature.
7. Voice prompt function.

### Technical Parameters:

Model	11239BBC86
External Size(W*D*H)	1380*750*2290mm
Internal Size(W*D*H)	1220*600*660mm
Tested Opening	Safety Height < 200mm
Max Opening	400mm
Inflow Velocity	0.53m/s
Downflow Velocity	0.33m/s
Main Filter	Two HEPA Filters, Efficiency 99.999% at 0.3 um
Front Window	Motorized. Two-layer laminated toughened glass > 5mm.
Noise	EN 12469 ≤58 dB, NSF/ANSI 49 ≤61 dB
UV Lamp	30W*1
Fluorescent Lamp	40W*2
Illumination	≥ 1000Lux
Water and Gas Tap	Water Tap*1, Gas Tap*1
Waterproof Sockets	2*250W(Max)
Display	LCD Display
Control System	Microprocessor
Airflow System	70% air recirculation, 30% air exhaust
Material	Work Zone: 304 stainless steel Main Body: Cold-rolled steel with anti-bacteria powder coating
Base Stand	Height is 635mm
Caster Wheel	Universal Wheel
Consumption	600W
Power Supply	110/220V+10%, 50/60Hz
Gross Weight	400kg
Standard Configuration	Remote control, Foot switch, UV lamp, Fluorescent lamp, Base stand

# Liquid Handling

## Maximum precision for reliable results

### HumaPette PREMIUM Line

Highest quality Made in Germany

- > Maximum versatility and excellent quality
- > Proven performance

#### Features

- > One hand operation for right and left handed
- > Fully autoclavable (20 min. at 121°C)
- > Volume adjustment protection
- > Tool-free easy calibration technique
- > Corrosion-resistant piston and ejector
- > Color-coded volume range



Fixed volume	REF
10 µl	19505P
20 µl	19510P
25 µl	19515P
50 µl	19520P
100 µl	19525P
200 µl	19530P
250 µl	19535P
500 µl	19540P
1,000 µl	19545P

Digital and adjustable	REF
0.5-10 µl	19110P
2-20 µl	19120P
10-100 µl	19125P
20-200 µl	19130P
100-1,000 µl	19140P
500-5,000 µl	19150P
1,000-10,000 µl	19160P



HumaPette-8 Channel	REF
Perfect tool for all ELISA microtiter assays	
5-50 µl	19320P
30-300 µl	19330P



Premium Starter kit	REF
Containing 3 digital and adjustable pipettes of different volumes with corresponding racked crystal, yellow and blue pipette tips and rack mounts	
0.5-10 µl	19110P
10-100 µl	19125P
100-1,000 µl	19140P



## HumaPette SMART Line

Superior price/performance ratio

- > Ergonomical and accurate

### Features

- > Convenient plunger position
- > Low force to push plunger
- > Easy set and read display
- > Feedback from button operation
- > Simple calibration



Fixed volume	REF
5 µl	19500L
10 µl	19505L
20 µl	19510L
25 µl	19515L
50 µl	19520L
100 µl	19525L
200 µl	19530L
250 µl	19535L
500 µl	19540L
1,000 µl	19545L

Digital and adjustable	REF
0.5-10 µl	19110L
5-50 µl	19120L
10-100 µl	19125L
20-200 µl	19130L
100-1,000 µl	19140L
1,000-5,000 µl	19150L

## Pipette Tips for all types of HumaPettes

"1-way" tips to avoid contamination				REF
crystal	0.5-20 µl	1,000 pcs		19320/20
yellow	2-200 µl	10,000 pcs		19910/20
blue	50-1,000 µl	5,000 pcs		19920/40
white	0.5-5 ml	200 pcs		19150/10
white	1.0-10 ml	1,000 pcs		19160/10

For HumaPette-8			
HumaPette-8	5-300 µl	1,000 pcs	19320/10



**Human**

Diagnostics Worldwide



DLAB Vortex Mixers are ideal instruments for mixing liquid components in tubes, resuspension of cells, using an eccentric mechanism. They are widely used in biological and chemical analysis applications.

**MX-S**  
Vortex Mixer

**MX-F**  
Vortex Mixer

**Features**

- Touch operation or continuous mode
- Variable speed control from 0 to 2500rpm (MX-S)
- Fixed Speed 2500rpm (MX-F)
- Used for various mixing applications with optional adapters (MX-S)
- Specially designed vacuum suction feet for body stability
- Robust aluminum-cast construction



Wide range of accessories

Specifications	MX-S (Adjustable speed)	MX-F (Fixed speed)
Voltage	100-120V/200-240V,50/60Hz	100-120V/200-240V,50/60Hz
Power	60W	60W
Mixing motion	Orbital	Orbital
Orbital diameter	4mm	4mm
Motor type	Shaded pole motor	Shaded pole motor
Motor rating input	58W	58W
Motor rating output	10W	10W
Speed range	0-2500rpm	2500rpm
Speed display	Scale	-
Run type	Touch operation/ Continuous	Touch operation/ Continuous
Dimension(WxHxD)	127x130x160mm	127x130x160mm
Weight	3.5kg	3.5kg
Permissible ambient temperature	5-40°C	5-40°C
Permissible relative humidity	80%RH	80%RH
Protection class	IP21	IP21



**VT1.1 Standard top  
(Default)**

for <math>\varnothing</math>30mm tubes and small vessels

Cat. No. 18900034





**MX-E**  
Economic Vortex Mixer

**Features**

- For small amount of sample mix
- Touch operation
- Fixed speed: 3000rpm
- Small and beautiful
- DC brushless motor, stable performance



**Specifications**

	MX-E
Power supply [VAC]	100-240
Frequency [Hz]	50/60
Power [W]	12
Mixing motion	Orbital
Revolving diameter [mm]	4.8
Motor rating output[W]	10
Rotational speed [rpm]	3000
Operating mode	Inching
External dimension [mm]	133x133x80
Dimension of packing box [mm]	250x185x130
Weight [kg]	0.6
Allowable environment temperature [°C]	5-40
Permissible Ambient Temperature	≤80%RH
Protection class	IP21

### MX-T6-Pro

#### LCD Digital Tube Roller

##### Features

- LCD displays the speed and time
- Speed range of 10-70rpm
- Six roller design for gentle rolling and easy to clean
- Continuous or timer operation

### MX-T6-S

#### Tube Roller

##### Features

- Speed range of 0-70rpm
- Six roller design for gentle rolling and easy to clean



DLAB tube rollers provide a gentle and highly efficient rolling motions, ideal for mixing blood samples, viscous substances and liquid-solid suspensions. Used in a variety of applications, such as the prevention of blood coagulation, immune precipitation, etc.



LCD display



Timer



#### Specifications

	MX-T6-Pro	MX-T6-S
Amplitude	24mm	24mm
Motor type	DC motor	DC motor
Rocking motion	Rocking and rolling	Rocking and rolling
Max. load capacity	4kg	4kg
Number of rollers	6	6
Roller size[length]	280mm	280mm
Speed range	10 - 70rpm	0-70rpm
Speed display	LCD	Scale
Timer	Yes	-
Timer display	LCD	-
Time setting range	1-1199min	-
Operation mode	Continuous/timer	Continuous
Voltage	100-240V,50/60Hz	100-240V,50/60Hz
Power	30W	25W
Dimension [DxWxH]	450x260x120mm	450x260x120mm
Weight	5.1kg	4.5kg
Permissible ambient temperature and humidity	5-40°C,80%RH	5-40°C,80%RH
Protection class	IP21	IP21

## DM0412

### Clinical Centrifuge

#### Features

- Easy programming to achieve high accuracy of speed control
- Easy operation with intuitive menu and easy-to-read display
- Rotor speed can be set and displayed by RPM or G-force
- Maintenance-free brushless DC motor
- Quick spin function with press and hold pulse key
- Lid with electric lock and automatic release function saves processing time
- Automatic self-diagnosis on startup showing accumulative running time and last running parameters
- Braking time 2 steps adjustable (for A6-50P rotor)



Low-speed Centrifuges



## DM0412S

### Economical Low-speed Centrifuge

#### Features

- speed range of 300-4500rpm
- Individual control of speed and time
- Faster acceleration and deceleration
- Perfectly suitable for 15mL centrifuge tubes and a full line of Vacuum collection tubes



CE FC



**Specifications**

	DM0412	DM0412S
Speed Range	300-4500rpm, increment: 100rpm	300-4500rpm, increment: 100rpm
Max. RCF	2490×g	2490×g
Speed accuracy	±20rpm	±100rpm
Rotor type	A12-10P, A6-50P	A12-10P
Run Time	30sec-99min HOLD(Continuous operation)	1-99min HOLD(Continuous operation)
Motor	Brushless DC motor	DC motor
Display	LCD	LED
Safety Devices	Door interlock, Overspeed detector; Automatic internal diagnosis	Door interlock, Over-speed detection
Acceleration/Braking time	A12-10P: 20s ↑ 13s ↓ A6-50P: 20s ↑ 20 s /90 s ↓	23s ↑ 23s ↓
Power	Single-phase, 100V-240V,50Hz/60Hz, 3A 70W	Single-phase,200V-240V,50Hz/60Hz, 3A,100V-120V,50Hz/60Hz, 3A 70W
Dimension[WxDxH]	354×304×215mm	354×304×218mm
Weight	6kg	6kg
Certification	CE, cTUVus, IVD	-
Advanced features	Speed/RCF switch;Short-time run function; sound-alert function	sound-alert function





شركة المجهر المتكامل التجارية

AL MEJHAR AL MOTAKAMEL COMMERCIAL CO.

**Hettich**



**GENERAL CATALOG**

## HETTICH PRODUCT PORTFOLIO



### MANUAL CENTRIFUGE

- Independent of electricity
- Maintenance-free
- Two rotors to choose from (90° or 50°)
- Clamping device for easy table attachment



max. RPM	3,000 min <sup>-1</sup>
max. RCF	1,298
max. capacity	4 x 15 ml
weight (approx.)	0.9 kg
<b>Cat. No.</b>	<b>1011</b>

### EBA 200 | 200 S

- IVDR-conform according to (EU) 2017/746
- Small centrifuge including 8-place angle rotor
- Noise level: 50 dB(A) in EBA 200
- Impuls key for short cycle mode



max. RPM	8,000 min <sup>-1</sup>   8,000 min <sup>-1</sup>
max. RCF	3,461   6,153
max. capacity	8 x 15 ml
weight (approx.)	9 kg   11 kg
<b>Cat. No.</b>	<b>1800   1802</b>

### EBA 270

- IVDR-conform according to (EU) 2017/746
- Small centrifuge including 6-place swing-out rotor
- Noise level: 51 dB(A)
- Impuls key for short cycle mode



max. RPM	4,000 min <sup>-1</sup>
max. RCF	2,254
max. capacity	6 x 15 ml
weight (approx.)	14 kg
<b>Cat. No.</b>	<b>2300</b>

### EBA 280 | 280 S

- IVDR-conform according to (EU) 2017/746
- Small centrifuge with rotor quick-exchange system
- Choice of 6 rotors
- 9 program storage memories



max. RPM	8,000 min <sup>-1</sup>
max. RCF	4,146   5,071
max. capacity	6 x 50 ml
weight (approx.)	12 kg
<b>Cat. No.</b>	<b>1101   1102</b>

### HAEMATOKRIT 200

- Hematocrit determination in 7 minutes
- IVDR-conform according to 98/79/EC
- Compact, powerful centrifuge
- Noise Level: 56 dB(A) with rotor 2058



max. RPM	13,000 min <sup>-1</sup>
max. RCF	16,060
max. capacity	24 capillaries
weight (approx.)	10 kg
<b>Cat. No.</b>	<b>1801</b>

### MIKRO 185

- Compact, powerful microliter centrifuge
- IVDR-conform according to (EU) 2017/746
- Choice of 4 rotors
- Noise Level: 54 dB(A) with rotor 1252-A



max. RPM	14,000 min <sup>-1</sup>
max. RCF	18,845
max. capacity	24 x 2 ml
weight (approx.)	11 kg
<b>Cat. No.</b>	<b>1203</b>

### MIKRO 200 | 200 R

- IVDR-conform according to (EU) 2017/746
- Choice of 4 rotors
- 4 program storage memories
- Impuls key for short cycle mode



max. RPM	15,000 min <sup>-1</sup>
max. RCF	21,382
max. capacity	30 x 2 ml
weight (approx.)	11.5 kg   28 kg
<b>Cat. No.</b>	<b>2400   2405</b>

### MIKRO 220 | 220 R

- IVDR-conform according to (EU) 2017/746
- Choice of 8 rotors
- 9 program storage memories
- Impuls key for short cycle mode



max. RPM	18,000 min <sup>-1</sup>
max. RCF	31,514
max. capacity	80 x 2 ml
weight (approx.)	21 kg   42 kg
<b>Cat. No.</b>	<b>2200   2205</b>

### ROTOFIX 32 A

- IVDR-conform according to (EU) 2017/746
- Choice of 9 rotors
- Noise level: 52 dB(A) with rotor 1628
- Impuls key for short cycle mode



max. RPM	8,000 min <sup>-1</sup>
max. RCF	4,226
max. capacity	4 x 100 ml
weight (approx.)	23 kg
<b>Cat. No.</b>	<b>1206</b>

### UNIVERSAL 320 | 320 R

- IVDR-conform according to (EU) 2017/746
- Choice of 18 rotors
- 9 individual acceleration and 10 deceleration stages
- Noise level: 48 dB(A) with rotor 1611



max. RPM	16,000 min <sup>-1</sup>
max. RCF	24,800
max. capacity	4 x 200 ml
weight (approx.)	31 kg   52 kg
<b>Cat. No.</b>	<b>1401   1406</b>

### ROTINA 380 | 380 R

- IVDR-conform according to (EU) 2017/746
- Choice of 8 rotors
- 9 individual acceleration and 10 deceleration stages
- 98 program storage memories



max. RPM	15,000 min <sup>-1</sup>
max. RCF	24,400
max. capacity	4 x 290 ml
weight (approx.)	51 kg   81 kg
<b>Cat. No.</b>	<b>1701   1706</b>

### ROTINA 420 | 420 R

- IVDR-conform according to (EU) 2017/746
- Choice of 5 rotors
- 9 individual acceleration and 10 deceleration stages
- 98 program storage memories



max. RPM	15,000 min <sup>-1</sup>
max. RCF	24,400
max. capacity	4 x 600 ml
weight (approx.)	75 kg   108 kg
<b>Cat. No.</b>	<b>4701   4706</b>

### ROTANTA 460 | 460 R

- Medical device according to (EU) 2017/745
- Choice of 8 rotors
- 9 individual acceleration and 19 deceleration stages
- 98 program storage memories



max. RPM	15,000 min <sup>-1</sup>
max. RCF	24,400
max. capacity	4 x 750 ml
weight (approx.)	101 kg   141 kg
<b>Cat. No.</b>	<b>5650   5660</b>

### ROTOFIX 46 | 46 H

- Robust and versatile industrial centrifuge
- ROTOFIX 46 H heatable up to +90 °C
- Choice of 4 rotors
- Noise Level: 38 dB(A) with rotor 4619



max. RPM	4,000 min <sup>-1</sup>   2,000 min <sup>-1</sup>
max. RCF	3,095   984
max. capacity	4 x 290 ml   4 x 100 ml
weight (approx.)	60 kg
<b>Cat. No.</b>	<b>4600   4600-50</b>

### ROTANTA 460 RC | 460 RF

- Medical device according to (EU) 2017/745
- Choice of 8 rotors
- 9 individual acceleration and 19 deceleration stages
- 98 program storage memories



max. RPM	15,000 min <sup>-1</sup>
max. RCF	24,400
max. capacity	4 x 750 ml
weight (approx.)	140 kg   164 kg
<b>Cat. No.</b>	<b>5670   5675</b>

### ROTIKA 500 RS

- Medical device according to (EU) 2017/745
- Choice of 5 rotors
- 89 program storage memories
- 9 individual acceleration and 19 deceleration stages



max. RPM	11,500 min <sup>-1</sup>
max. RCF	18,038
max. capacity	4 x 1,000 ml
weight (approx.)	ca. 219 kg
<b>Cat. No.</b>	<b>4950</b>

### ROTO SILENTA 630 RS

- Medical device according to (EU) 2017/745
- Choice of 3 rotors
- 89 program storage memories
- 9 individual acceleration and 19 deceleration stages



max. RPM	6,000 min <sup>-1</sup>
max. RCF	6,520
max. capacity	6 x 2,000 ml
weight (approx.)	ca. 355 kg
<b>Cat. No.</b>	<b>5005</b>

### ROTOLAVIT II

- IVDR-conform according to (EU) 2017/746
- Automatic washing centrifuge for serological tests
- Choice of 2 rotors
- Simple operation due to intuitive touch screen



max. RPM	3,500 min <sup>-1</sup>
max. RCF	1,438
max. capacity	24 x 5 ml
weight (approx.)	24.5 kg
<b>Cat. No.</b>	<b>1008-00</b>

### HETTCUBE 200 | 400 | 600

- Incubator with a temperature range of 1 K (°C) above ambient to + 65 °C
- Touchscreen with individual settings
- Constant and homogeneous temperature control through gentle air flow
- Maximum validated usable space on small footprint



dimensions (mm)	710 x 825 x 970   710 x 825 x 1425   710 x 825 x 1990
internal volume	150 l   310 l   520 l
validated volume	82 l   199 l   351 l
weight (approx.)	92 kg   117 kg   164 kg
<b>Cat. No.</b>	<b>62000   64000   66000</b>

### HETTCUBE 200 R | 400 R | 600 R

- Refrigerated incubator with a temperature range of 0 °C to + 65 °C
- Touch screen with individual settings, weekly programming with holiday function and more security through various power failure scenarios
- Constant and homogeneous temperature control



dimensions (mm)	710 x 825 x 970   710 x 825 x 1425   710 x 825 x 1990
internal volume	150 l   310 l   520 l
validated volume	82 l   199 l   351 l
weight (approx.)	103 kg   128 kg   175 kg
<b>Cat. No.</b>	<b>62005   64005   66005</b>

Also available as general purpose model.

### ZENTRIMIX 380 R

- Innovative dual centrifuge
- Efficient homogenizing, mixing and milling with only one device
- Can also be used as a cooled standard centrifuge



max. RPM	2,500 min <sup>-1</sup>
max. RCF	1,048
max. capacity	6 x 50 ml
weight (approx.)	81.5 kg
<b>Cat. No.</b>	<b>3200</b>

### ACCESSORIES

- HettInfo II – Documentation system for blood banks
- Blood bank accessories
- Cyto accessories
- Incubator accessories
- Rolling cabinets



### AUTOMATED CENTRIFUGES

- World market leader with over 25 years of experience in the field of automated centrifuges
- 4 models available in different sizes
- Extensive standard accessories



Developed and manufactured in Germany.



Ø Product life of over 10 years



Spare parts and service for many years to come



Over 100 trained partners worldwide



All products are IVDR or MDR compliant